

PCM200107

Double Tower, Cognitive & Creative

KOMPAN
Let's play

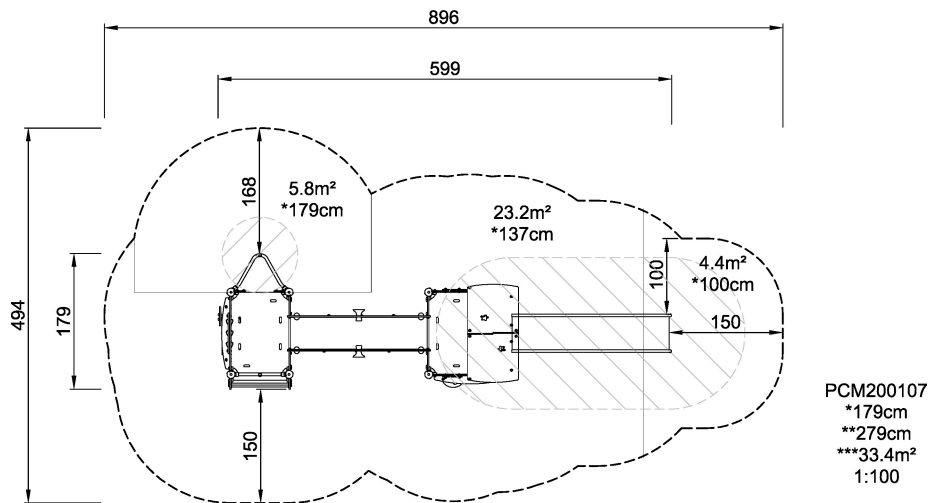


This multiple two tower play structure has a bridge, taking the children from the one to the other side. The tower side is entered by a sturdy stairway with good grips on the sides. On the platform a game of Naughts&Crosses is offered. For the dare-devils a speedy fireman's pole offers a fast trip back to ground level. Alternatively, the curved bridge to the other side can be entered, training the sense of space and balance when passing and yelling messages from the Megaphone to friends on the ground from the middle of the bridge.

Product Line	Multi play structures
Category	MOMENTS™ Preschool
Age group	2 - 8
Max. fall height (CM)	179
Total height (CM)	279
Safety Zone	33.4 m2



**SUR-
FACE**



* = Highest designated play surface.
** = Total height of product.

Weight/heaviest parts	kg.	Installation (Manpower)	Persons
Concrete required	NaN m3	Installation (Hours)	Hours
Foundation amount/footing	NaN	Excavation	NaN m3