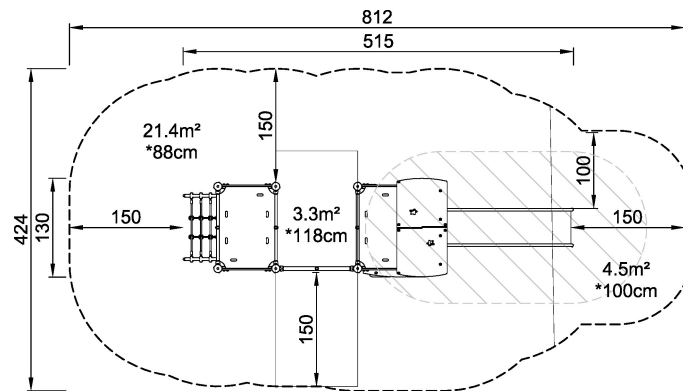


This varied net climb play structure offers climbing variety for many children as well as good meeting points for socialising. The play tower can be accessed by the inclined climbing net which supports cross-body coordination with equally spaced meshes and width enough to provide for two climbers at the same time. From there a varied, big meshed climbing net, big enough for climbing through or hanging in your knees from, leads to the elevated play house.

<b>Product Line</b>	Multi play structures
<b>Category</b>	MOMENTS™ Preschool
<b>Age group</b>	2 - 8
<b>Max. fall height (CM)</b>	118
<b>Total height (CM)</b>	230
<b>Safety Zone</b>	29.2 m2



**SUR-  
FACE**



PCM200203  
\*118cm  
\*\*230cm  
\*\*\*29.2m²  
1:100

\* = Highest designated play surface.  
\*\* = Total height of product.

<b>Weight/heaviest parts</b>	kg.	<b>Installation (Manpower)</b>	Persons
<b>Concrete required</b>	NaN m3	<b>Installation (Hours)</b>	Hours
<b>Foundation amount/footing</b>	NaN	<b>Excavation</b>	NaN m3