

This elongated play structure is entered by an ADA stairway allowing for an assistant and offering support with grips in the floors and a roomy transfer platform, which also allows for a rest. From the platform, the trip goes onto yet another platform, which can also be accessed by a nice, inclined net, supportive of climbing and allowing for more users at the same time. From the platform a curved bridge which gently trains the sense of balance and space leads to a roomy house which makes a good meeting spot with its nice, carved windows.

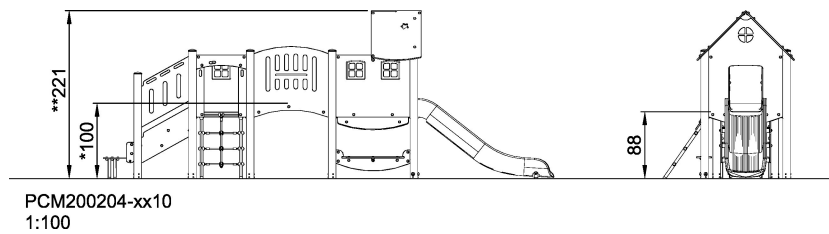
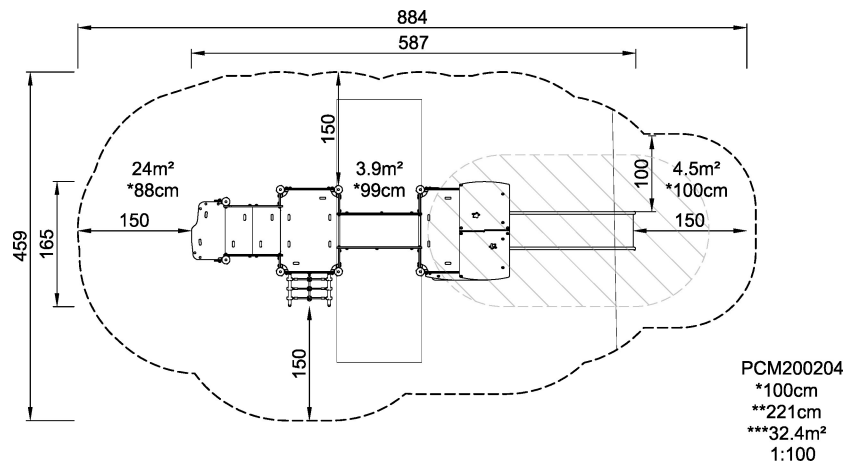
Product Line	Multi play structures
Category	MOMENTS™ Preschool
Age group	2 - 8
Max. fall height (CM)	100
Total height (CM)	221
Safety Zone	32.4 m2



**SUR-
FACE**



ASTM



* = Highest designated play surface.
** = Total height of product.

Weight/heaviest parts	kg.	Installation (Manpower)	Persons
Concrete required	NaN m3	Installation (Hours)	Hours
Foundation amount/footing	NaN	Excavation	NaN m3