

PCM200303

Double Tower, Physical

KOMPAN[®]
Let's play

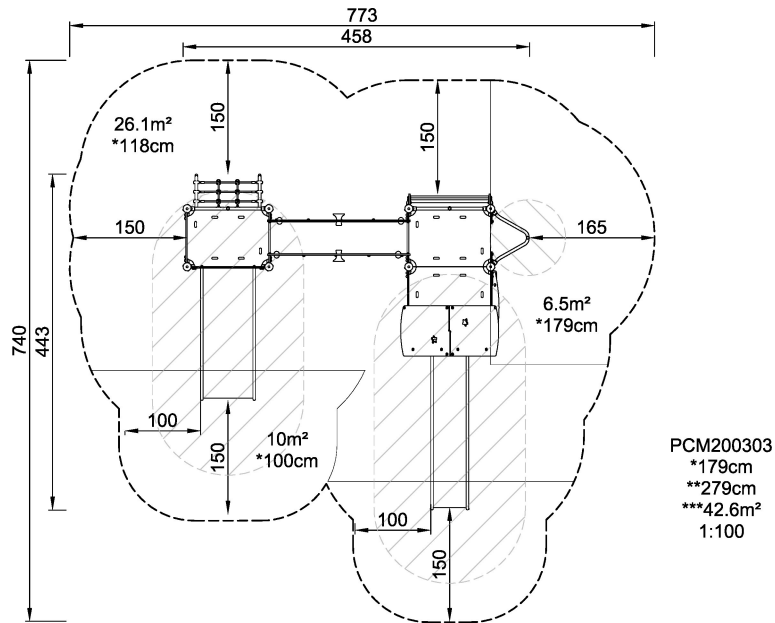


This great play combination offers a variety of physically developing play activities: A supportive, inclined and wide climbing net with symmetric mesh sizes leads the child securely and fast onto a platform from which it can either wait for a friend and go down the double slide holding hands or take the bridge to the house platform, a level up as the bridge spans two levels and thus gives an extra spatial experience when going up, or down, the bridge. Once on the house platform, the house invites for a nice break.

Product Line	MOMENTS™ Play Systems
Category	MOMENTS™ Preschool
Age group	2 - 8
Max. fall height (CM)	179
Total height (CM)	279
Safety Zone	42.6 m2



**SUR-
FACE**



* = Highest designated play surface.
** = Total height of product.

Weight/heaviest parts	kg.	Installation (Manpower)	Persons
Concrete required	NaN m ³	Installation (Hours)	Hours
Foundation amount/footing	NaN	Excavation	NaN m ³