

PCM200700

Play tower & house with balcony, wood posts, plastic slide

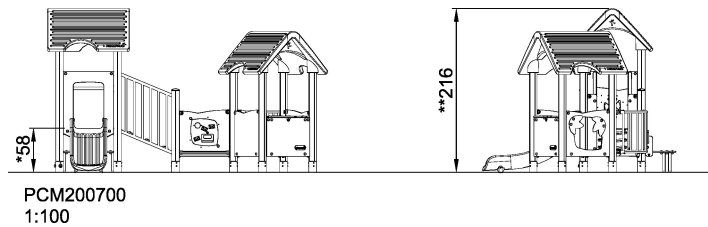
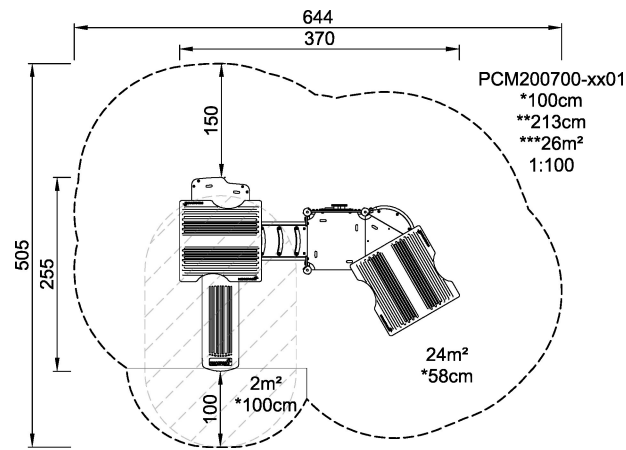


Accessing this playhouse is done via a crawl-through opening with flaps. Inside there is a shop counter with a conveyer belt made of small wheels, which provides a fun tactile sensation for the toddler to explore. The middle platform is accessed directly from the ground. On the platform, children will find a mailbox panel that they can put objects through. From the higher platform, children can take a ride down the age-appropriate slide, or peek through the port window panel.

Product Line	Multi play structures
Category	MOMENTS™ MINI Toddler & Preschool
Age group	1 - 4
Max. fall height (CM)	100
Total height (CM)	213
Safety Zone	26 m ²



IN-
GROU.



* = Highest designated play surface.
** = Total height of product.

Weight/heaviest parts	kg.	Installation (Manpower)	Persons
Concrete required	NaN m3	Installation (Hours)	Hours
Foundation amount/footing	NaN	Excavation	NaN m3