

PCM200900

Two towers with net bridge, wood posts, plastic slide

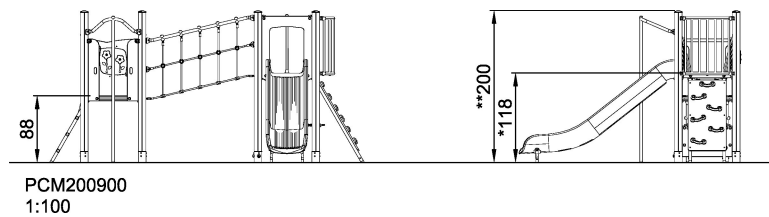
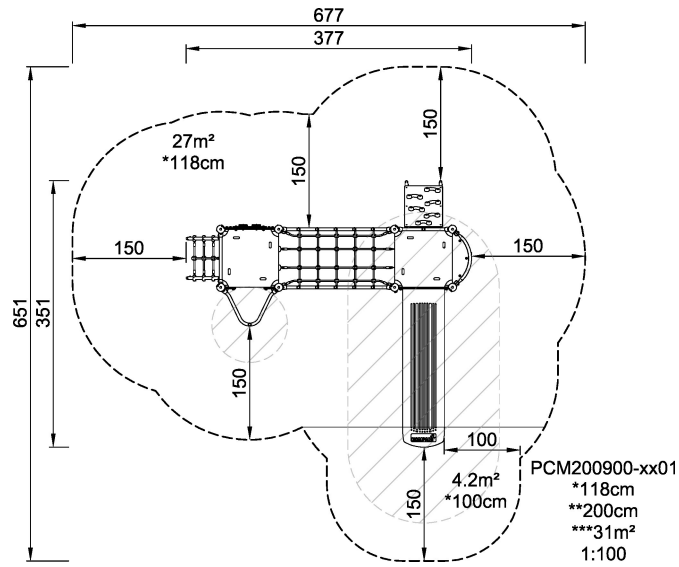


This play structure offers a variety of climbing activities that support motor development to a high degree. The net ladder is used to enter the lower of the two towers from where the children can traverse the net bridge on to the higher platform. The platform can also be reached by using the inclined climbing wall. The play structure also features two play activities: a flower panel and a shop counter which are both great for social interaction with peers.

Product Line	Multi play structures
Category	MOMENTS™ MINI Toddler & Preschool
Age group	2 - 6
Max. fall height (CM)	118
Total height (CM)	200
Safety Zone	31 m ²



**IN-
GROU.**



* = Highest designated play surface.
** = Total height of product.

Weight/heaviest parts	kg.	Installation (Manpower)	Persons
Concrete required	NaN m3	Installation (Hours)	Hours
Foundation amount/footing	NaN	Excavation	NaN m3