

**PCM201000**

# Two towers with curved bridge, steel posts, st. steel slide

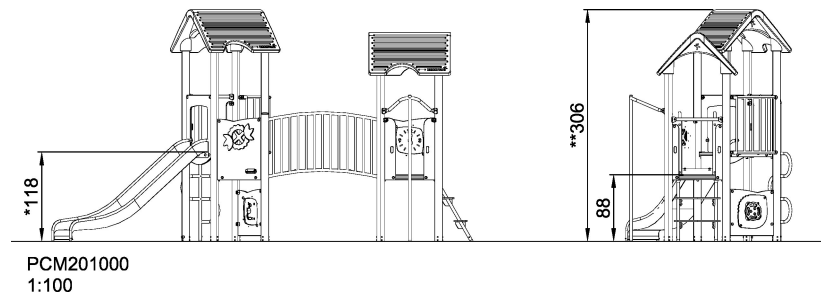
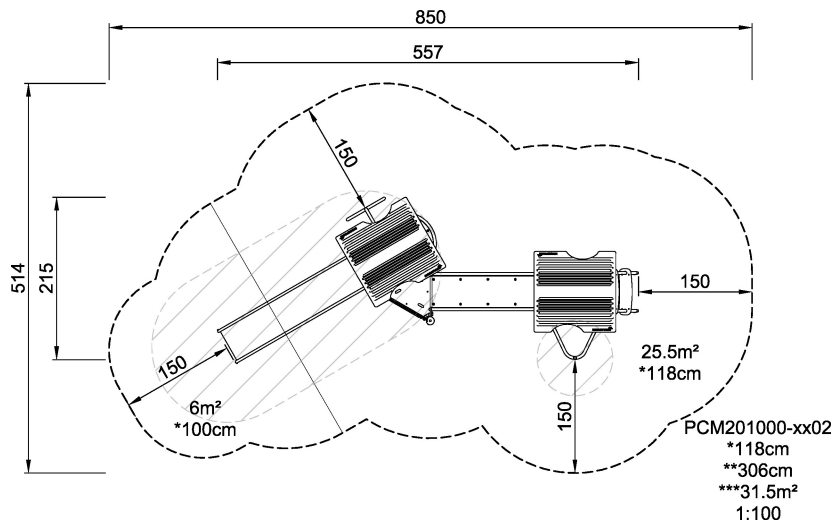


Besides the familiar play house theme this structure affords many opportunities for social interaction. The faces and time panel features a number of faces with different expressions that will support children's ability to register different feelings. On the other side of this panel is a clock with movable arms for learning how to read the time. The driving panel encourage dramatic play, and the numbered gear shift will help learn early numeracy.

<b>Product Line</b>	Multi play structures
<b>Category</b>	MOMENTS™ MINI Toddler & Preschool
<b>Age group</b>	2 - 6
<b>Max. fall height (CM)</b>	118
<b>Total height (CM)</b>	306
<b>Safety Zone</b>	31.5 m2



**IN-  
GROU.**



\* = Highest designated play surface.  
\*\* = Total height of product.

<b>Weight/heaviest parts</b>	kg.	<b>Installation (Manpower)</b>	Persons
<b>Concrete required</b>	NaN m3	<b>Installation (Hours)</b>	Hours
<b>Foundation amount/footing</b>	NaN	<b>Excavation</b>	NaN m3