

**PCM201200**

# Two towers with climbing net, wood posts, plastic slide

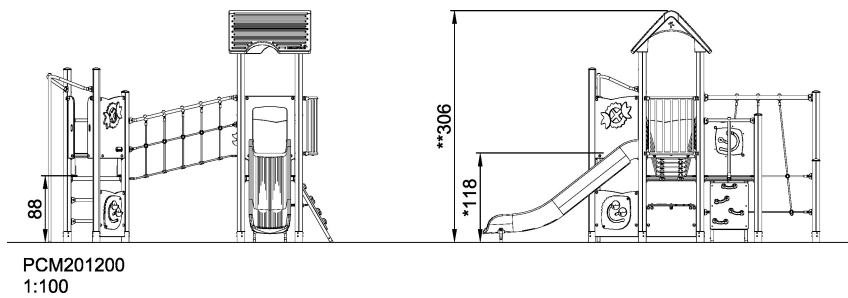
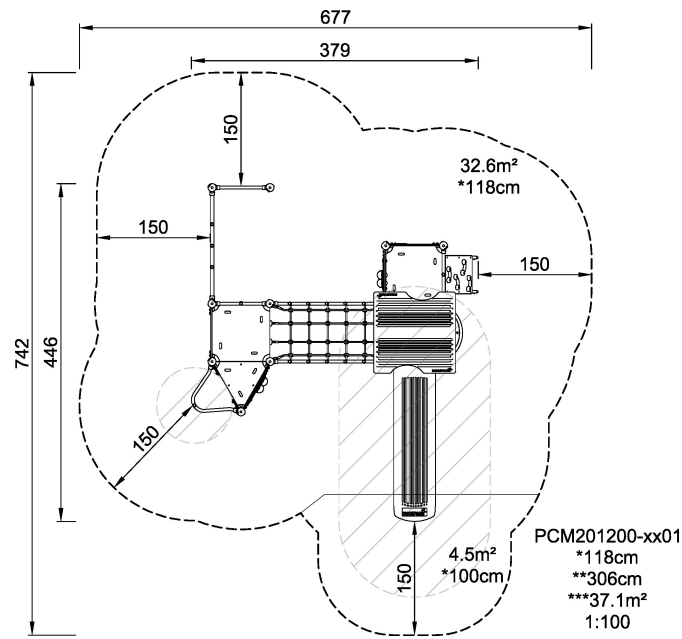


For the ultimate fun this two tower features a climbing net and a number of developing activities. The climbing activities will help train gross motor skills and several children can play at once. The panel activities such as the sand scoops trains fine motor-skills by manipulating the scoops into different positions. The port window is great for social interaction and role play, and a shop counter with a conveyer belt made of small wheels provides a fun tactile sensation.

<b>Product Line</b>	Multi play structures
<b>Category</b>	MOMENTS™ MINI Toddler & Preschool
<b>Age group</b>	2 - 6
<b>Max. fall height (CM)</b>	118
<b>Total height (CM)</b>	306
<b>Safety Zone</b>	37.1 m2



**IN-  
GROU.**



\* = Highest designated play surface.  
\*\* = Total height of product.

<b>Weight/heaviest parts</b>	kg.	<b>Installation (Manpower)</b>	Persons
<b>Concrete required</b>	NaN m3	<b>Installation (Hours)</b>	Hours
<b>Foundation amount/footing</b>	NaN	<b>Excavation</b>	NaN m3