

**PCM201300**

# Two towers with tunnel bridge, steel posts, st. steel slide

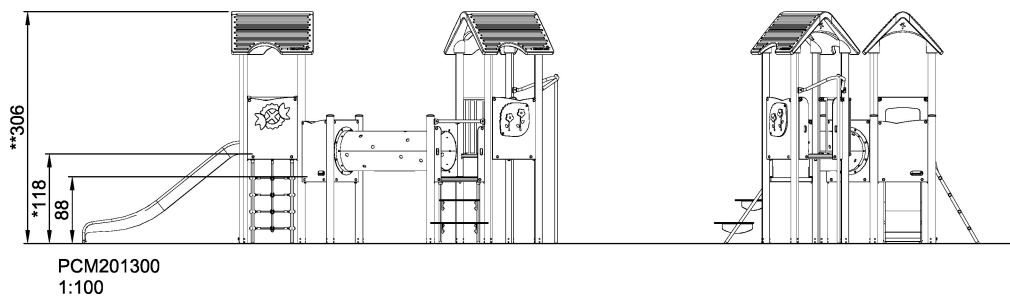
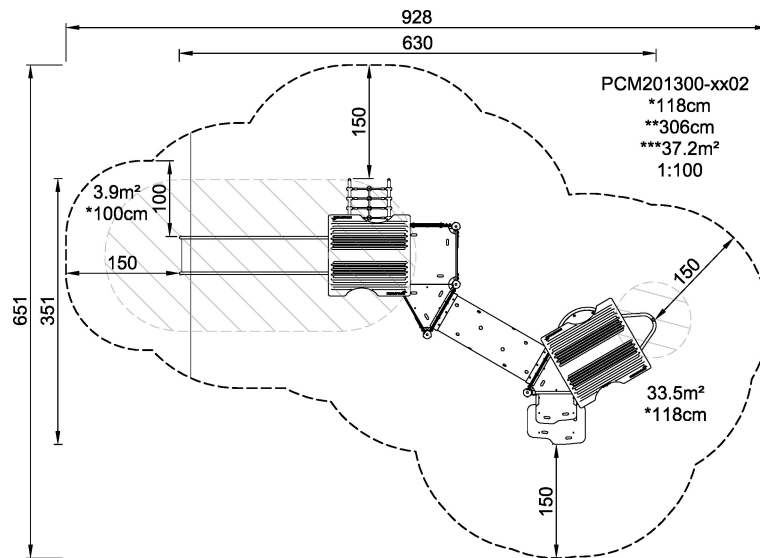


Hours of fun is guaranteed with this two tower with a tunnel bridge. The structure is accessed by using the stairs or by climbing the net ladder. The fireman's pole is a fun physical challenge while the activity panels encourage interaction and trains fine-motor skills. The flowers panel features flowers that turn and the port window is great for social interactions and role play, as well as a balcony from where children can interact with peers.

<b>Product Line</b>	Multi play structures
<b>Category</b>	MOMENTS™ MINI Toddler & Preschool
<b>Age group</b>	2 - 6
<b>Max. fall height (CM)</b>	118
<b>Total height (CM)</b>	306
<b>Safety Zone</b>	37.2 m2



**IN-  
GROU.**



\* = Highest designated play surface.  
\*\* = Total height of product.

<b>Weight/heaviest parts</b>	kg.	<b>Installation (Manpower)</b>	Persons
<b>Concrete required</b>	NaN m3	<b>Installation (Hours)</b>	Hours
<b>Foundation amount/footing</b>	NaN	<b>Excavation</b>	NaN m3