

PCM210101

# Double tower with Net Tunnel, Basic, Plastic Slide

**KOMPAN**<sup>®</sup>  
Let's play

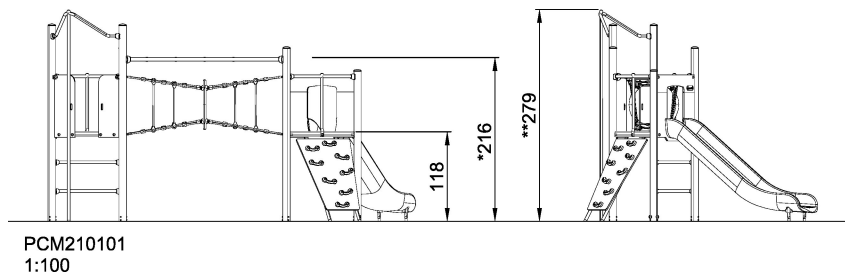
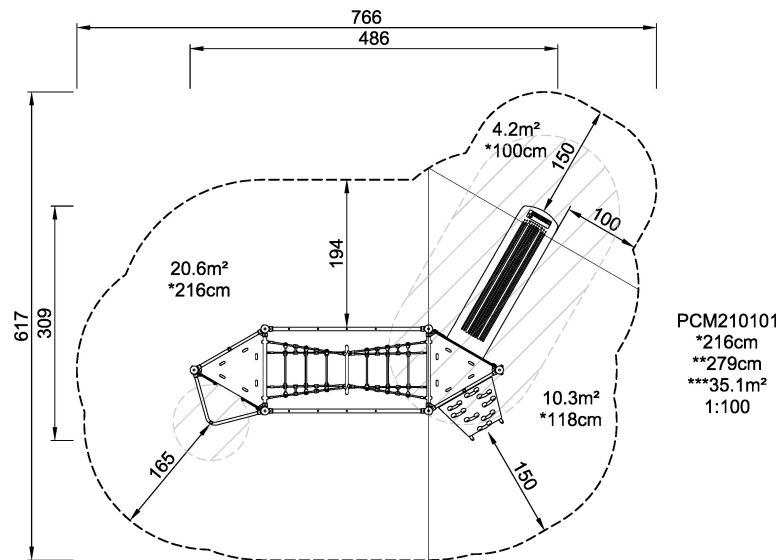


Climbing, crawling and sliding are three favourite pastimes in school age children's play. This dense physical play unit allows for three different ways of climbing and crawling and two variations of sliding and gliding down to the ground: the way to the platforms goes up the sturdy steel rung stairway or the inclined climbing wall with smiley grips. From the one platform a slide leads back to the ground, from the other platform a daredevil fireman's pole leads to the ground. Between the two towers and challenging rope bridge with a fine climb-through ring leads the child over. Apart from being great fun, climbing and sliding also support fundamental motor skills of the child: the sense of space, the cross-body coordination and the sense of balance.

<b>Product Line</b>	Multi play structures
<b>Category</b>	MOMENTS™ School age
<b>Age group</b>	4 - 10
<b>Max. fall height (CM)</b>	216
<b>Total height (CM)</b>	279
<b>Safety Zone</b>	35.1 m <sup>2</sup>



**SUR-  
FACE**



\* = Highest designated play surface.  
\*\* = Total height of product.

<b>Weight/heaviest parts</b>	kg.	<b>Installation (Manpower)</b>	Persons
<b>Concrete required</b>	NaN m3	<b>Installation (Hours)</b>	Hours
<b>Foundation amount/footing</b>	NaN	<b>Excavation</b>	NaN m3