

PCM210203

Double Tower with Climbing Net, Physical, Plastic slide

KOMPAN[®]
Let's play

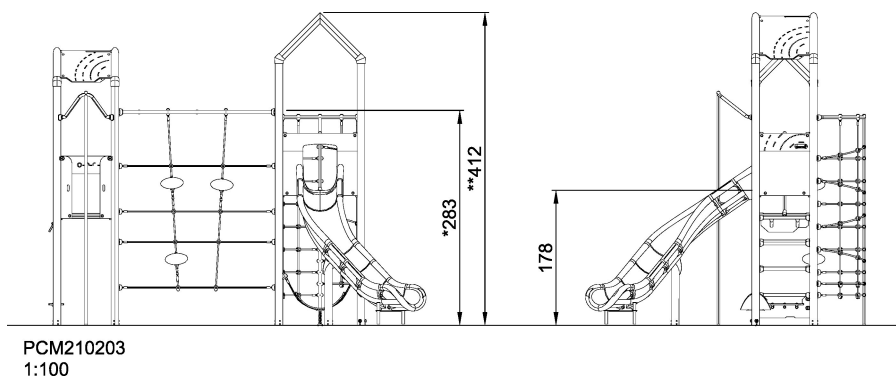
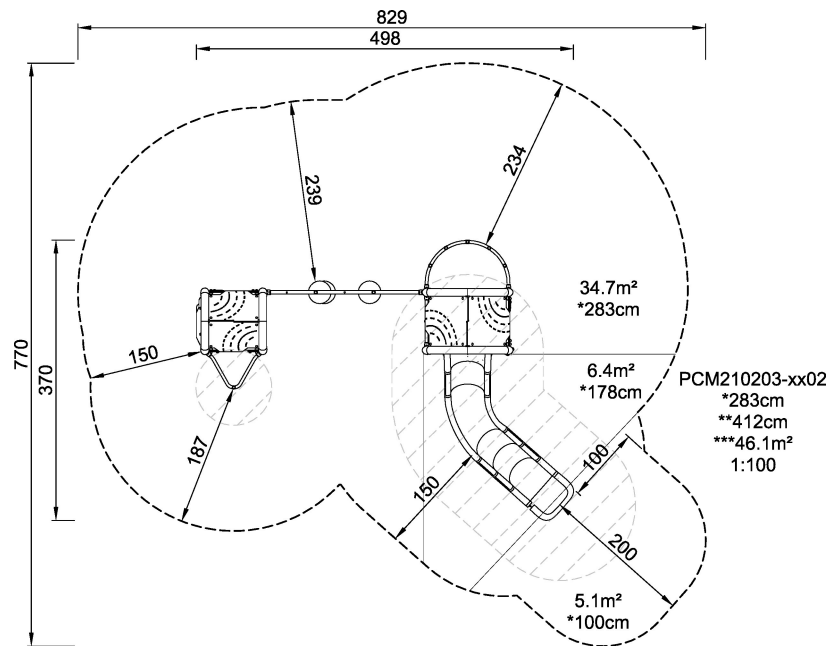


Climbing up high and sliding or gliding down again hold an eternal attraction to school age children. This unit offers varied, challenging climbing, crawling, gliding and sliding and not least, nice rest points to socialize as well. The way up to the two platforms can be taken by the huge climbing nets with sphere-shaped seats, via the sturdy steel rung ladder or the huge, curved climbing net, that can be climbed on both the inside and the outside. The bigger meshes on half the net make for a more challenging climbing option, which the child can also climb through, and the smaller meshes make the fast way up. Once up on the platforms, a curved, bumpy slide can be taken down, or, from the other tower, a daredevil fireman's pole.

Product Line	Multi play structures
Category	MOMENTS™ School age
Age group	4 - 12
Max. fall height (CM)	283
Total height (CM)	412
Safety Zone	46.5 m2



**SUR-
FACE**



* = Highest designated play surface.
** = Total height of product.

Weight/heaviest parts	kg.	Installation (Manpower)	Persons
Concrete required	NaN m3	Installation (Hours)	Hours
Foundation amount/footing	NaN	Excavation	NaN m3