

PCM210303

Double Tower with Plank Bridge, Physical, Steel Slide

KOMPAN[®]
Let's play

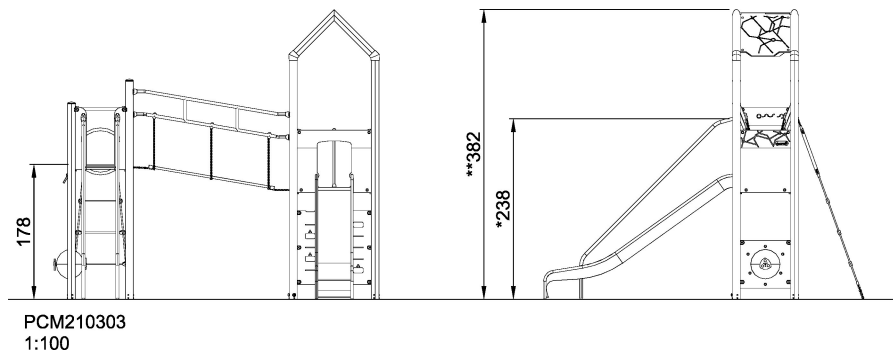
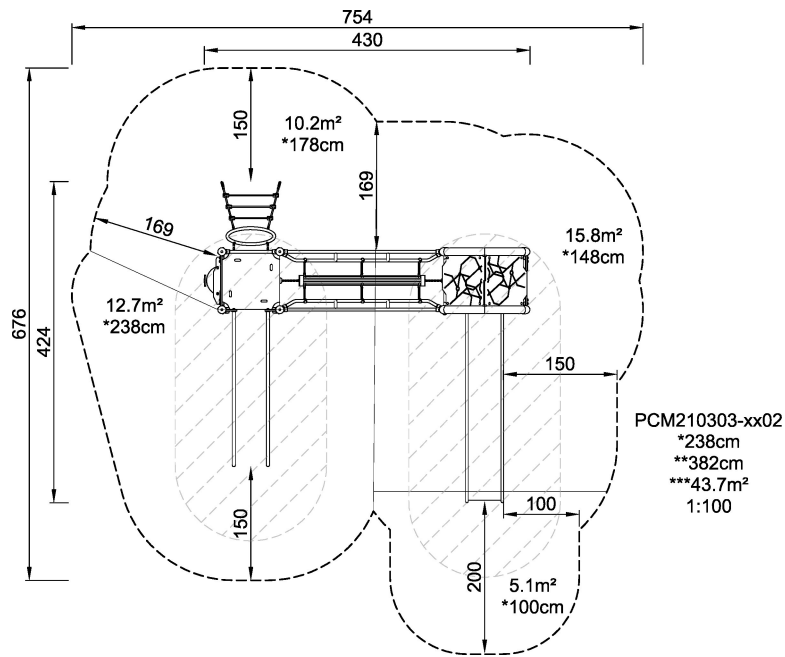


Balancing, climbing and sliding are eternally popular with school age children. This dense play unit offers two levels of varied physical play activities. The challenging climb up the rope ladder with ring gets the more daring children to the higher platform and the dare devil banister bars. From here, the child can balance down the wackle bridge, one foot in front of the other, to a lower platform and a fun slide to the ground. The lower platform can be accessed via a climbing wall also. On ground level, a nice tactile tumbler with dices offer a break from the wild play, together with a friend.

Product Line	Multi play structures
Category	MOMENTS™ School age
Age group	4 - 12
Max. fall height (CM)	238
Total height (CM)	382
Safety Zone	43.07 m2



**SUR-
FACE**



* = Highest designated play surface.
** = Total height of product.

Weight/heaviest parts	kg.	Installation (Manpower)	Persons
Concrete required	NaN m ³	Installation (Hours)	Hours
Foundation amount/footing	NaN	Excavation	NaN m ³