

PCM210603

Urban Double Tower with Plank Bridge, Physical, Banister Bars

KOMPAN[®]
Let's play



Showing off your physical skills is popular with school age children. A sturdy steel rung ladder makes the fast way to the tower. For a more challenging climb, the Jacob's Ladder offers a way up demanding full physical concentration, as the ladder curves from the third rung, only the older children can go further, as the child will need to alter the coordination of feet and hands to climb on. Between the two platforms, a wobbly bridge can be balanced to the other platform. This platform can also be accessed by a wild rappelling climb. Leading down from the platforms are two different ways of gliding: two bannister bars or the daredevil fireman's pole.

Product Line	Multi play structures
Category	MOMENTS™ School age
Age group	6 - 12
Max. fall height (CM)	238
Total height (CM)	339
Safety Zone	45.8 m2



SOCIALIZE



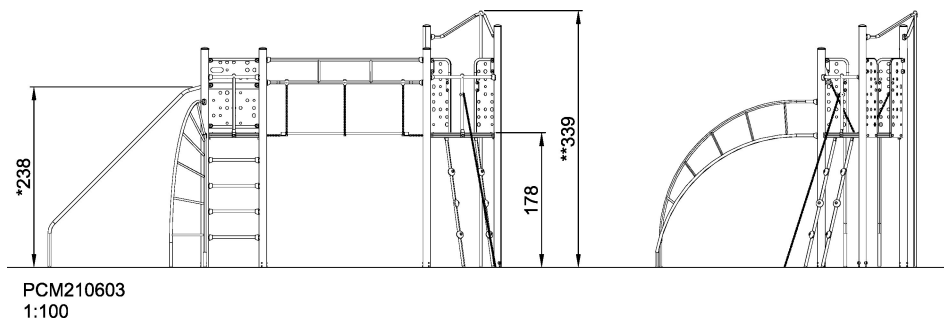
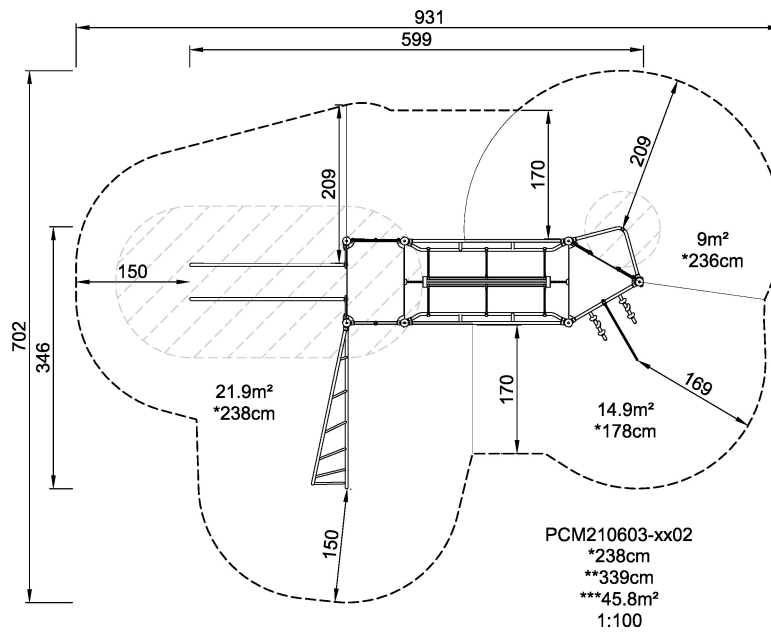
CLIMB



SLIDE



**SUR-
FACE**



* = Highest designated play surface.
** = Total height of product.

Weight/heaviest parts	kg.	Installation (Manpower)	Persons
Concrete required	NaN m ³	Installation (Hours)	Hours
Foundation amount/footing	NaN	Excavation	NaN m ³