

PCM210901

Double Tower with Plank Bridge, Basic, Plastic Slide

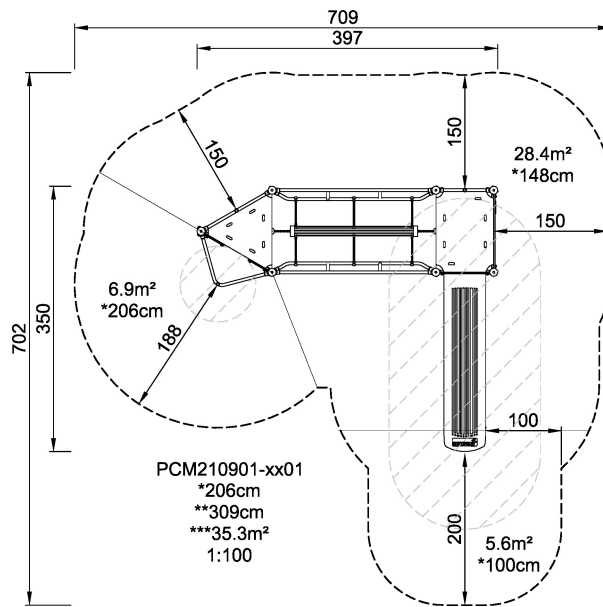


Climbing up, balancing over and sliding or gliding down again hold an eternal attraction to school age children. This unit offers varied physical challenges: balancing, climbing and gliding in different ways. The child can take the way up to the two platforms via the climbing wall with step holes or the sturdy steel rung ladder. From the two platforms a classic slide ride or a glide down the dare devil fireman's pole are the rewarding ways back to the ground. The two towers are bridged by a wobbly plank bridge that takes a lot of concentration and demands a good sense of balance.

Product Line	Multi play structures
Category	MOMENTS™ School age
Age group	4 - 10
Max. fall height (CM)	206
Total height (CM)	309
Safety Zone	35.3 m2



**SUR-
FACE**



* = Highest designated play surface.
** = Total height of product.

Weight/heaviest parts	kg.	Installation (Manpower)	Persons
Concrete required	NaN m3	Installation (Hours)	Hours
Foundation amount/footing	NaN	Excavation	NaN m3