

PCM211703

Double Tower with Wobble Bridge, Physical, Plastic Slide

KOMPAN[®]
Let's play

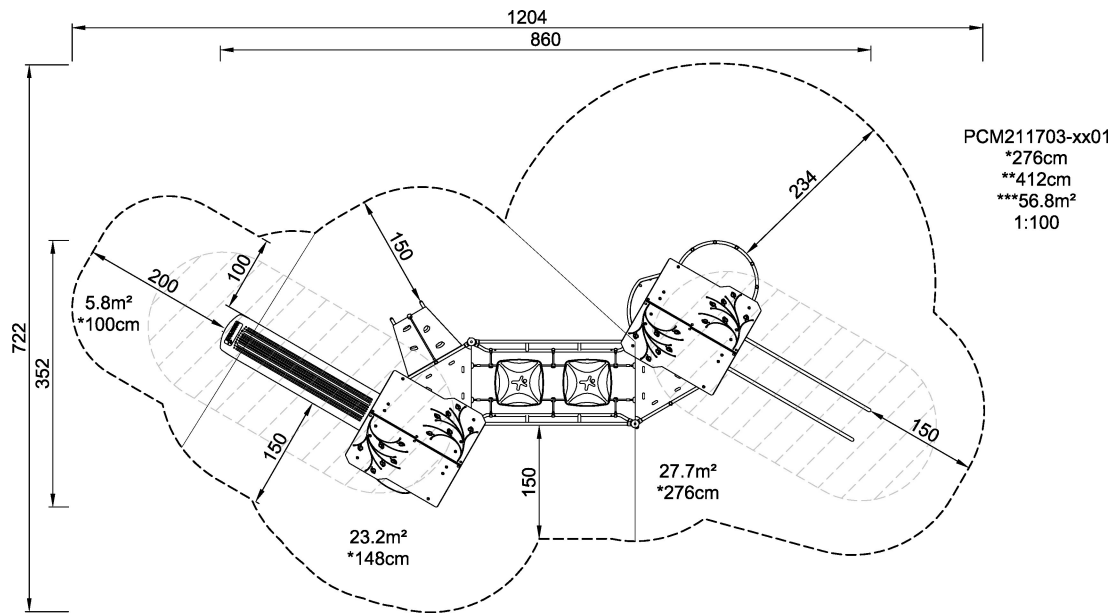


Balancing, climbing, sliding and gliding together are eternally popular play activities with school age children. This play unit offers four variations of climbing and crawling: a rappelling access, sturdy steel rung ladder and a huge, curved climbing net with a fast and a more challenging side. Last but not least, a wobbly bridge between the two towers offers a balance challenge. The award for getting to the towers are the stomach tickling slide or the dare devil glide down the banister bars back to the ground. Back on ground level, a resting seat invites a break and a chat, and under the other tower, a hammock gently moves and a nice, tactile hour glass can be played with, together with friends.

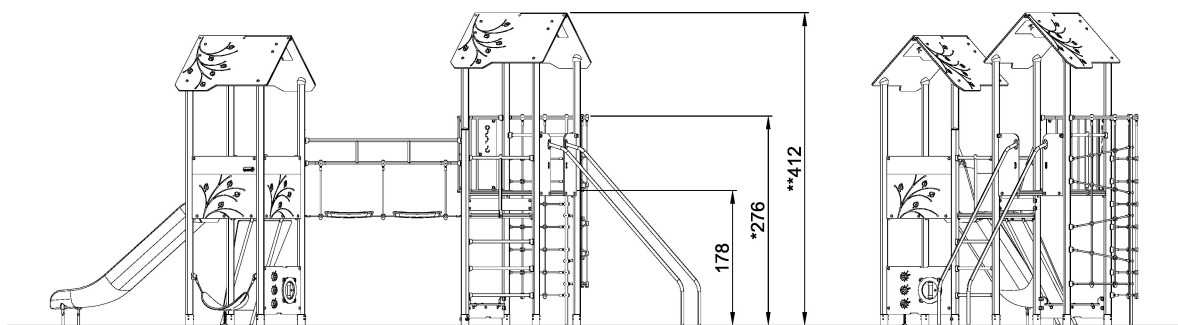
Product Line	Multi play structures
Category	MOMENTS™ School age
Age group	4 - 10
Max. fall height (CM)	276
Total height (CM)	412
Safety Zone	56.8 m ²



**SUR-
FACE**



PCM211703-xx01
*276cm
**412cm
***56.8m²
1:100



PCM211703-xx01
1:100

* = Highest designated play surface.
** = Total height of product.

Weight/heaviest parts	kg.	Installation (Manpower)	Persons
Concrete required	NaN m ³	Installation (Hours)	Hours
Foundation amount/footing	NaN	Excavation	NaN m ³