

PCM212101

# Double Tower with Net Bridge, Basic, Plastic Slides

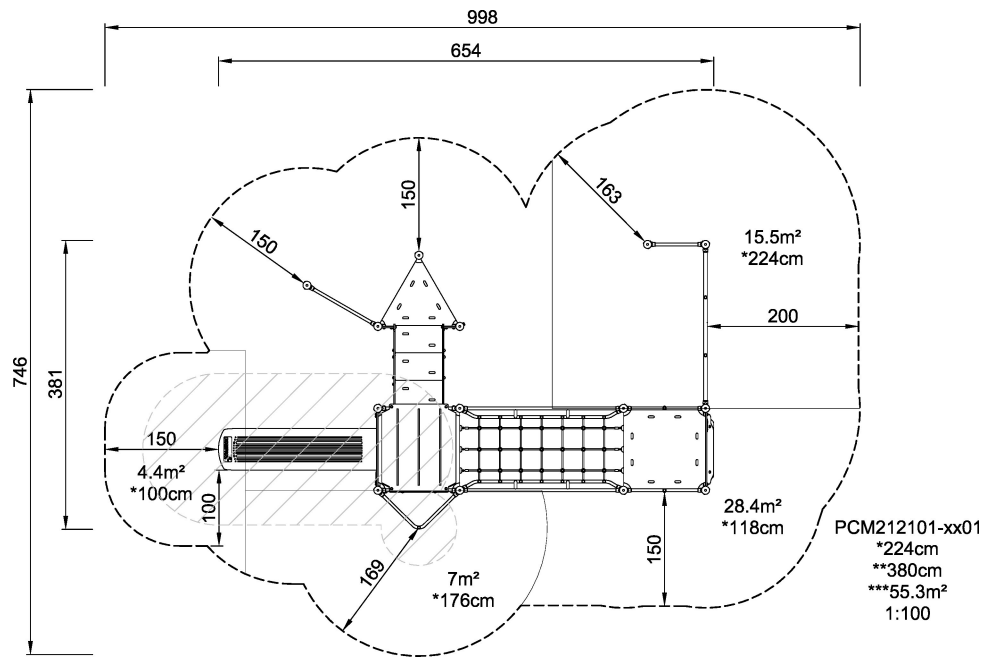


Climbing, balancing and sliding are eternally popular play activities with school age children. This roomy, accessible play unit offers three variations of climbing and crawling: sturdy steel rung ladders, a big meshed net that can be climbed through and an accessible stairway, which also allows room for a seated break. The two towers of the play structure are connected by an open, wobbly net bridge, which can be balanced over. The award for getting to the towers are the stomach tickling slide or the dare devil glide down the fireman's pole back to the ground. On ground level, a seat allows room for a break and a somersault bar allows for somersaulting, hanging in the knees or just being seated.

<b>Product Line</b>	Multi play structures
<b>Category</b>	MOMENTS™ School age
<b>Age group</b>	4 - 10
<b>Max. fall height (CM)</b>	224
<b>Total height (CM)</b>	380
<b>Safety Zone</b>	55.3 m2



**SUR-  
FACE**



\* = Highest designated play surface.  
\*\* = Total height of product.

<b>Weight/heaviest parts</b>	kg.	<b>Installation (Manpower)</b>	Persons
<b>Concrete required</b>	NaN m3	<b>Installation (Hours)</b>	Hours
<b>Foundation amount/footing</b>	NaN	<b>Excavation</b>	NaN m3