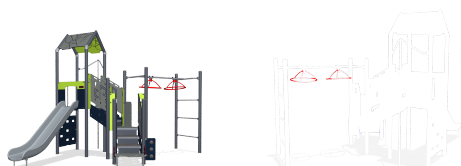


PCM212203

# Double Tower with Turbo Challenge, Physical, Plastic Slide, Inclusion

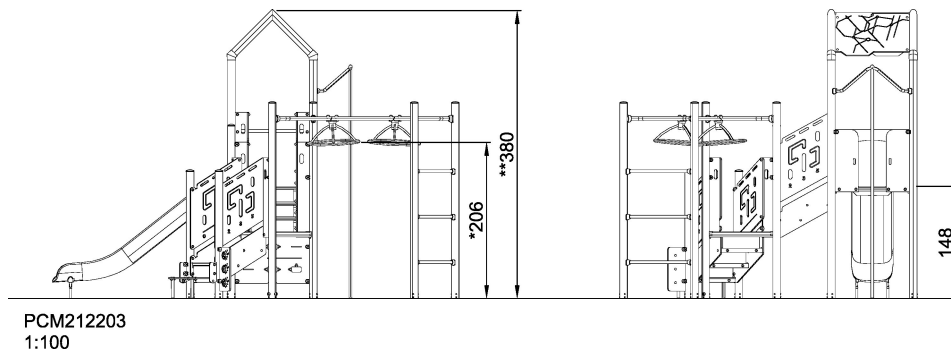
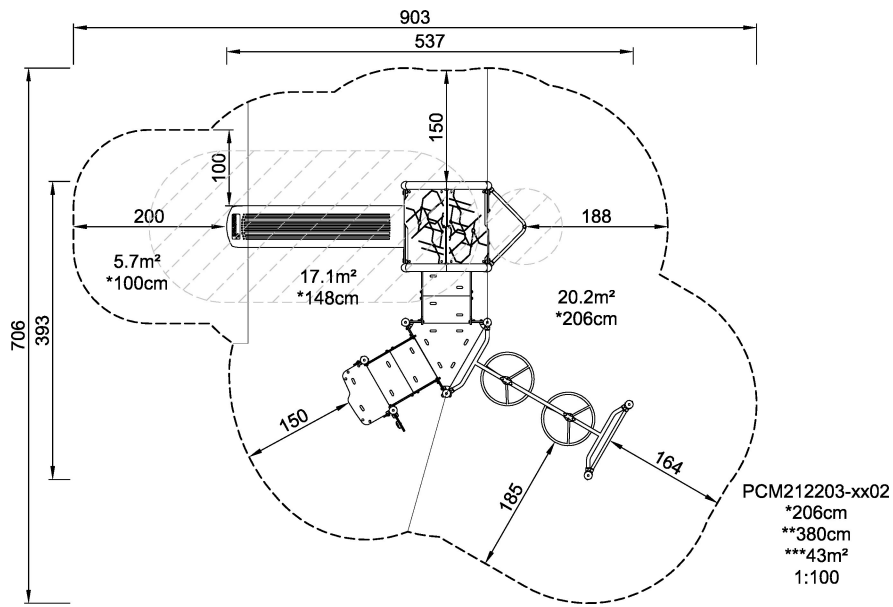


Rotation, climbing and sliding are favourite activities of school age children, especially when done together with friends. This fun unit offers an accessible variation of rotating, climbing and sliding. From the lower platform, the children can access and travel the two Turbo Challenge spinners in their arms, in a turning movement from the one to the other. The Turbo Challenge ends in a sturdy steel rung ladder, that can provide a seat as well as a climb before venturing back to the tower. From the highest tower a stomach-tickling slide or a daredevil fireman's pole takes the child back to the ground. On the ground level, the transfer platform is a good point for a break, and next to this a tactile play timer can be manipulated and explored.

<b>Product Line</b>	Multi play structures
<b>Category</b>	MOMENTS™ School age
<b>Age group</b>	4 - 12
<b>Max. fall height (CM)</b>	206
<b>Total height (CM)</b>	380
<b>Safety Zone</b>	43 m <sup>2</sup>



**SUR-  
FACE**



\* = Highest designated play surface.  
\*\* = Total height of product.

<b>Weight/heaviest parts</b>	kg.	<b>Installation (Manpower)</b>	Persons
<b>Concrete required</b>	NaN m3	<b>Installation (Hours)</b>	Hours
<b>Foundation amount/footing</b>	NaN	<b>Excavation</b>	NaN m3