

PCM300300

Triple play tower with bridge, wood posts, plastic slide

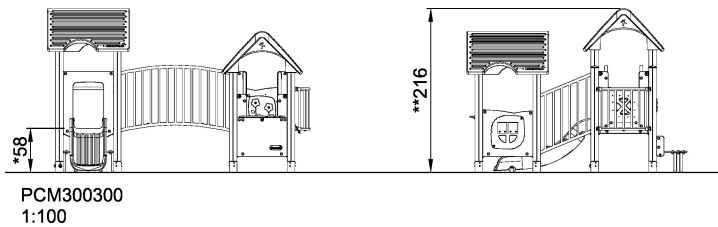
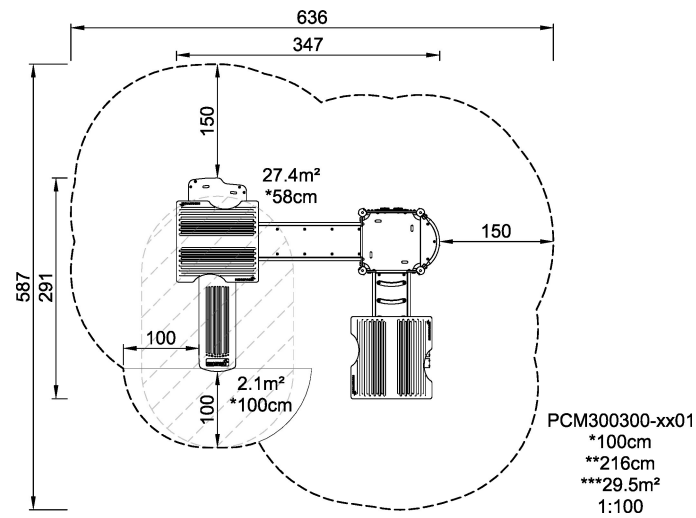


For the developing toddler this play tower features high play value. Toddlers will develop their gross-motor skills as they climb up onto one of the platforms and begin exploring the play structure. It includes a number of activity panels: a port window to peek through, a moving flower panel and a peek-a-boo panel, which has window curtains that can be drawn and closed. All panels require children to use their fine-motor skills, and cognitively it will support their learning of object permanence.

Product Line	Multi play structures
Category	MOMENTS™ MINI Toddler & Preschool
Age group	1 - 4
Max. fall height (CM)	100
Total height (CM)	216
Safety Zone	29.5 m ²



IN-
GROU.



* = Highest designated play surface.
** = Total height of product.

Weight/heaviest parts	kg.	Installation (Manpower)	Persons
Concrete required	NaN m3	Installation (Hours)	Hours
Foundation amount/footing	NaN	Excavation	NaN m3