

PCM300500

Triple play tower with bridge, steel posts, st. steel slide

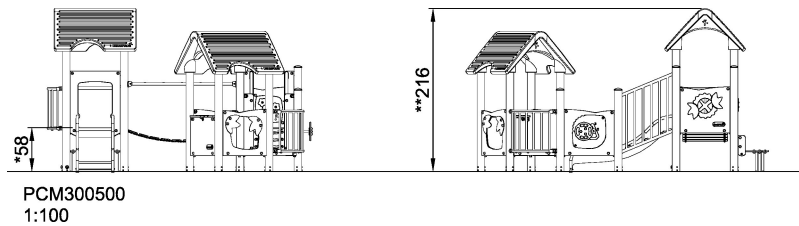
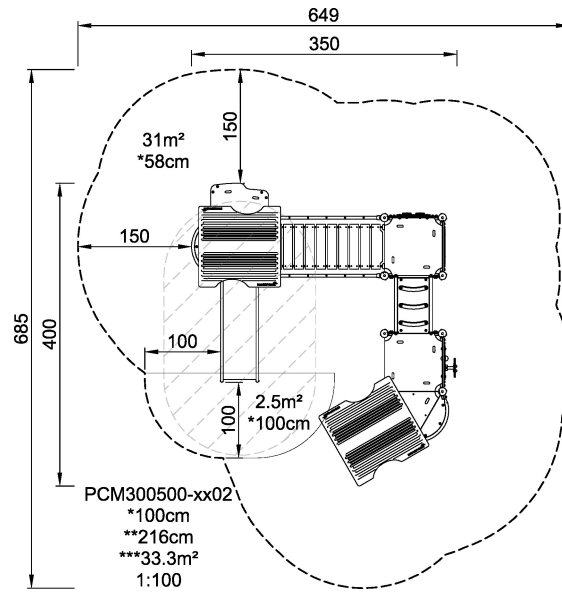


On the physical and cognitive level this play tower is perfect for training gross-motor and fine-motor development while being both fun and challenging. Whether balancing on the inclined bridge or hopping on the hanging bridge physical skills is being trained and by entering the balcony this will grant access to different panels such as the driving wheel or the moving flower panel. A shop counter with a conveyor belt provide a fun tactile sensation for the toddler to explore.

Product Line	Multi play structures
Category	MOMENTS™ MINI Toddler & Preschool
Age group	1 - 4
Max. fall height (CM)	100
Total height (CM)	216
Safety Zone	33.3 m ²



IN-
GROU.



* = Highest designated play surface.
** = Total height of product.

Weight/heaviest parts	kg.	Installation (Manpower)	Persons
Concrete required	NaN m ³	Installation (Hours)	Hours
Foundation amount/footing	NaN	Excavation	NaN m ³