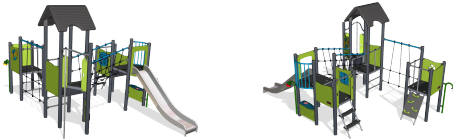


PCM300800

Three towers with net & bridge, steel posts, st. steel slide

KOMPAN[®]
Let's play

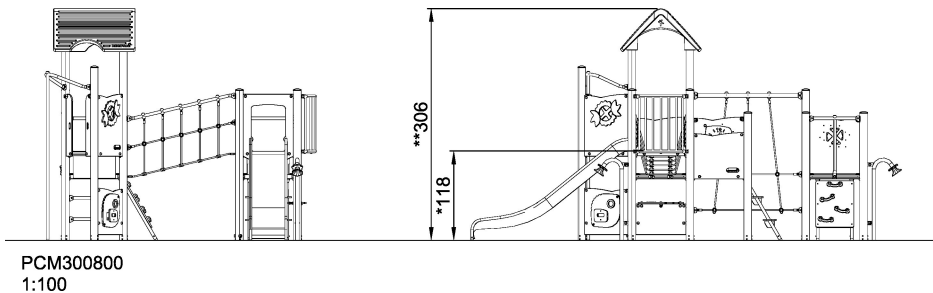
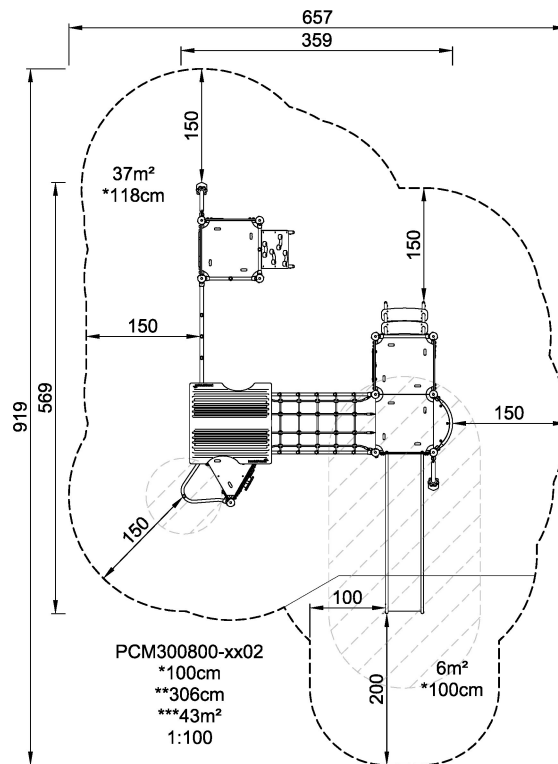


This triple tower connected by a net bridge and a climbing net provides a fun way to move around. Once on the platforms there are other activities than just the slide or the fireman's pole. These include the faces and time panel and a port window panel, which are great for encouraging social interactions. At ground level, children can play with the talk tubes, which are two tubes that you can speak into. This is great for children's understanding of sound, and encourages their language use.

Product Line	Multi play structures
Category	MOMENTS™ MINI Toddler & Preschool
Age group	2 - 6
Max. fall height (CM)	118
Total height (CM)	306
Safety Zone	43.3 m ²



**IN-
GROU.**



PCM300800
1:100

* = Highest designated play surface.
** = Total height of product.

Weight/heaviest parts	kg.	Installation (Manpower)	Persons
Concrete required	NaN m3	Installation (Hours)	Hours
Foundation amount/footing	NaN	Excavation	NaN m3