

PCM302

# Stand Alone Slide H=148, Plastic Slide

**KOMPAN**  
Let's play



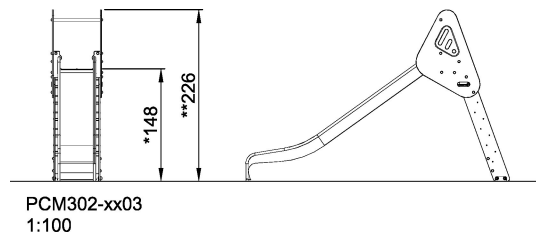
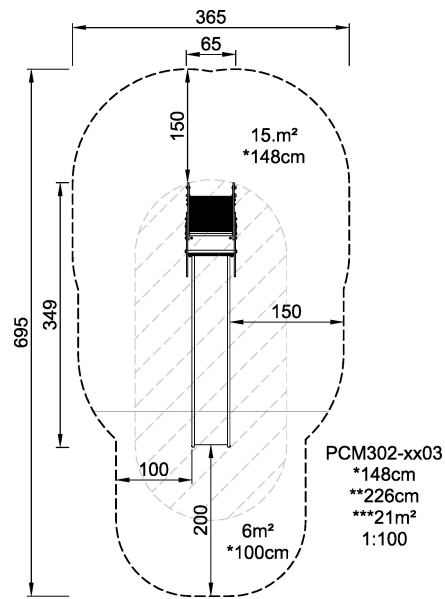
<b>Product Line</b>	Traditional Play
<b>Category</b>	Slides
<b>Age group</b>	3 - 10
<b>Max. fall height (CM)</b>	148
<b>Total height (CM)</b>	226
<b>Safety Zone</b>	21 m <sup>2</sup>



INCLUSIVE



**SUR-  
FACE**



\* = Highest designated play surface.  
\*\* = Total height of product.

<b>Weight/heaviest parts</b>	kg.	<b>Installation (Manpower)</b>	Persons
<b>Concrete required</b>	NaN m <sup>3</sup>	<b>Installation (Hours)</b>	Hours
<b>Foundation amount/footing</b>	NaN	<b>Excavation</b>	NaN m <sup>3</sup>