

**PCM303**

# Stand Alone Slide H=178, HDPE Side Panels and Steel Slide Bed

**KOMPAN**<sup>®</sup>  
Let's play



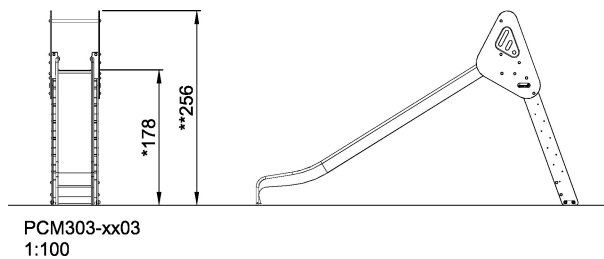
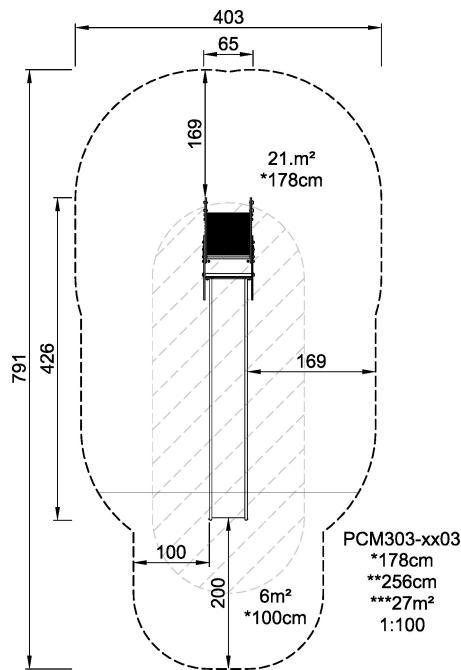
<b>Product Line</b>	Traditional Play
<b>Category</b>	Slides
<b>Age group</b>	4 - 12
<b>Max. fall height (CM)</b>	178
<b>Total height (CM)</b>	256
<b>Safety Zone</b>	26 m <sup>2</sup>



INCLUSIVE



**SUR-  
FACE**



\* = Highest designated play surface.  
\*\* = Total height of product.

<b>Weight/heaviest parts</b>	kg.	<b>Installation (Manpower)</b>	Persons
<b>Concrete required</b>	NaN m <sup>3</sup>	<b>Installation (Hours)</b>	Hours
<b>Foundation amount/footing</b>	NaN	<b>Excavation</b>	NaN m <sup>3</sup>