

PCM310101

Triple Tower with Net & Plank Bridge, Basic, Banister Bars

KOMPAN[®]
Let's play

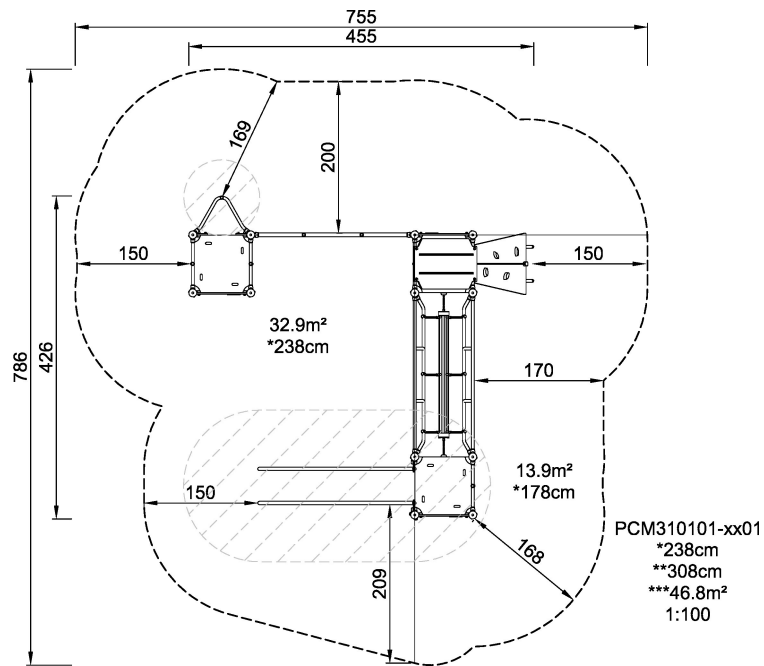


School age children love to climb, slide and balance, and with this unit they get a wide variety of ways to do just that. The three towers offer each their level of difficulty in access climbing: the tall tower is entered via a sturdy steel rung ladder, the middle tower takes quite some concentration with its rappelling access wall, and the lowest tower is entered via the widely spaced steel rungs of a stair or the big meshed net. Once on the two finishing platforms of the structure, a dare devil fireman's pole or stomach tickling banister bars leads back to the ground. From the middle tower, a plank bridge takes the full physical focus of the child and leads one level up to the banister bar tower.

Product Line	Multi play structures
Category	MOMENTS™ School age
Age group	4 - 12
Max. fall height (CM)	238
Total height (CM)	308
Safety Zone	46.8 m ²



**SUR-
FACE**



* = Highest designated play surface.
** = Total height of product.

Weight/heaviest parts	kg.	Installation (Manpower)	Persons
Concrete required	NaN m ³	Installation (Hours)	Hours
Foundation amount/footing	NaN	Excavation	NaN m ³