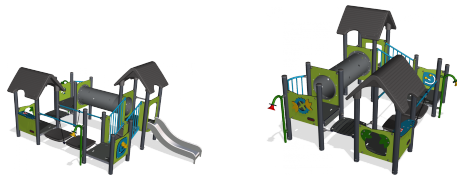


PCM400300

Four towers with tunnel, steel posts, st. steel slide

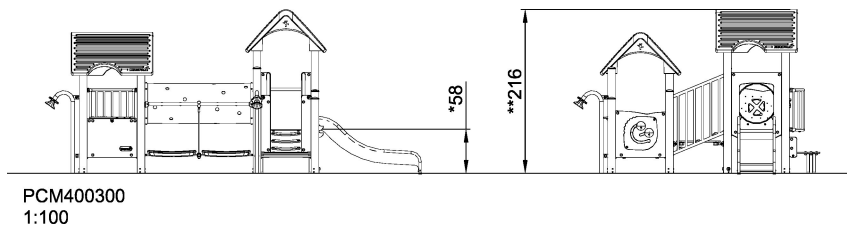
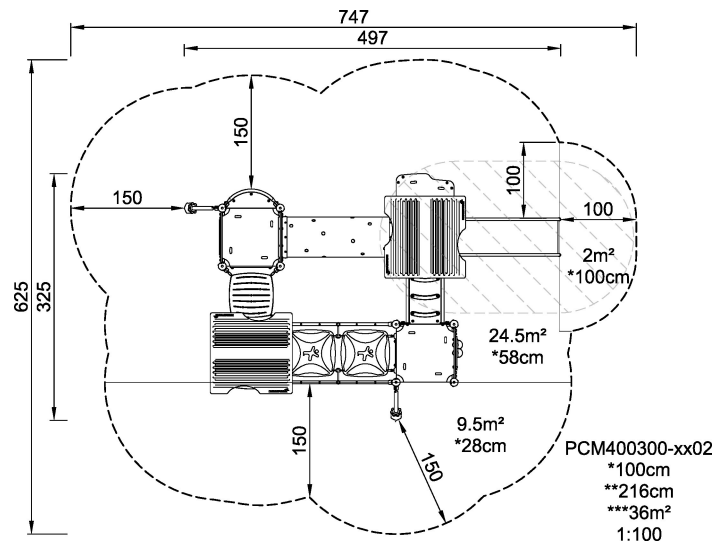


For the developing youngster this play tower is packed with activities and challenges that support and spur on the most important developmental areas. With four towers this structure offers plenty of ways to move around. Children can use the hanging bridge, crawl through the tunnel or use the slide. For the developing mind this play tower include a number of panel activities such as the talk tubes, the sand scoops, a port window or the shop counter.

Product Line	Multi play structures
Category	MOMENTS™ MINI Toddler & Preschool
Age group	1 - 4
Max. fall height (CM)	100
Total height (CM)	216
Safety Zone	36 m ²



IN-
GROU.



* = Highest designated play surface.
** = Total height of product.

Weight/heaviest parts	kg.	Installation (Manpower)	Persons
Concrete required	NaN m ³	Installation (Hours)	Hours
Foundation amount/footing	NaN	Excavation	NaN m ³