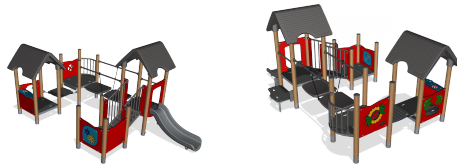


PCM400400

Four towers with wobble bridge, wood posts, plastic slide

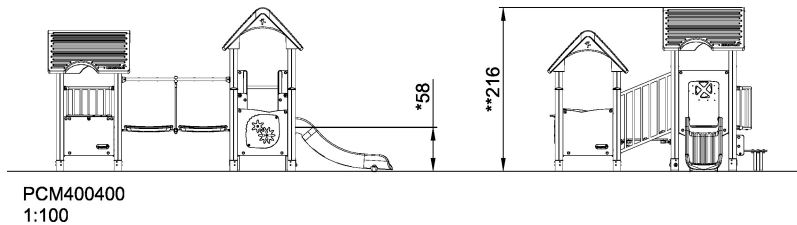
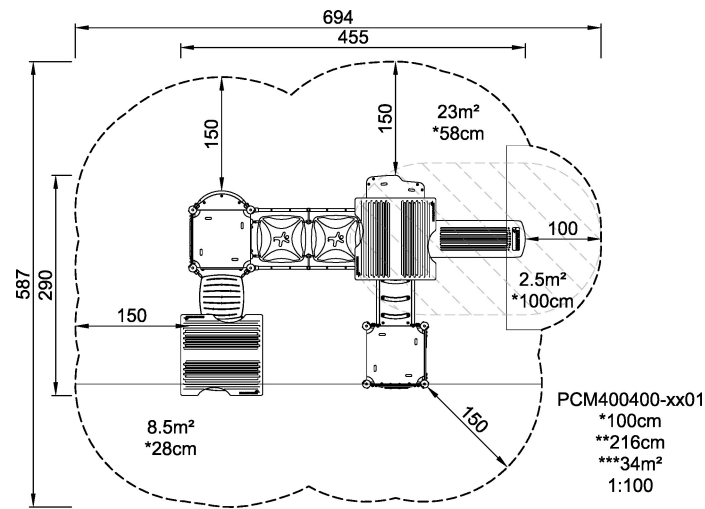


This play tower provides toddlers with a lot of fun and include both physical and cognitive challenges. A wobble bridge is perfect for training balance and coordination while the inclined bridge trains climbing and strength. The activity panels included in this play tower provides a fun way to interact with peers. The gear panel with two gears that children can turn with their fingers, a shop counter with a conveyer belt and a port window which toddlers love to peek through.

Product Line	Multi play structures
Category	MOMENTS™ MINI Toddler & Preschool
Age group	1 - 4
Max. fall height (CM)	100
Total height (CM)	216
Safety Zone	34 m ²



IN-
GROU.



* = Highest designated play surface.
** = Total height of product.

Weight/heaviest parts	kg.	Installation (Manpower)	Persons
Concrete required	NaN m3	Installation (Hours)	Hours
Foundation amount/footing	NaN	Excavation	NaN m3