

PCM702 Meeting Point



Socialising in a nice framework is a favourite occupation of school age children. This meeting point invites a break and can be combined with more modules to create a whole meeting area.

Product Line	Traditional Play
Category	Meeting points
Age group	4 - 15
Max. fall height (CM)	42
Total height (CM)	170
Safety Zone	12.1 m2



SOCIALIZE



CLIMB



INCLUSIVE



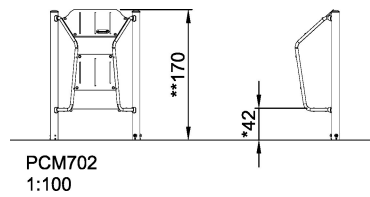
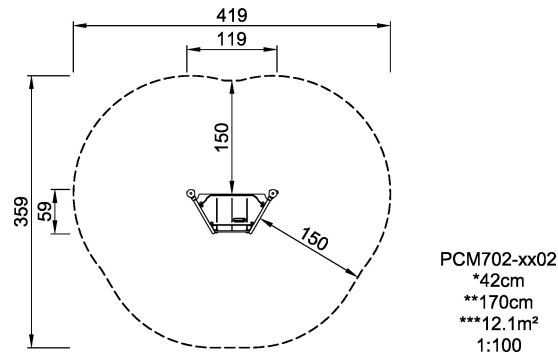
EN 1176

**SUR-
FACE**



ADA / INCLUSIVE

ASTM



* = Highest designated play surface.
** = Total height of product.

Weight/heaviest parts	kg.	Installation (Manpower)	Persons
Concrete required	NaN m ³	Installation (Hours)	Hours
Foundation amount/footing	NaN	Excavation	NaN m ³