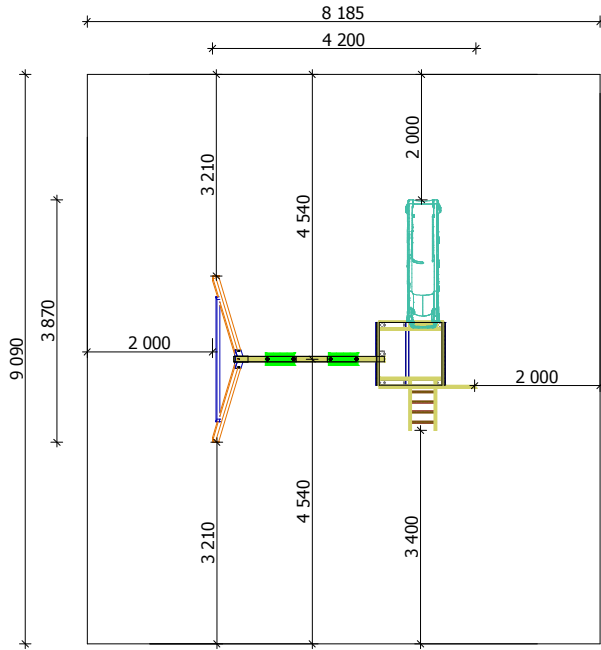


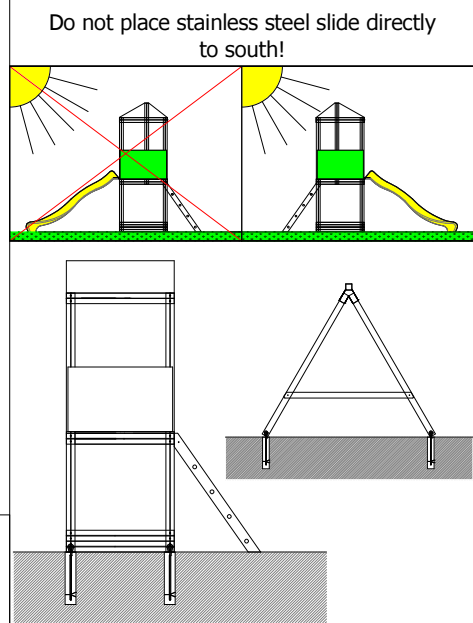
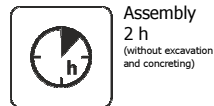
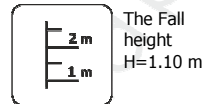
Construction are made from wood, galvanized steel and plywood.



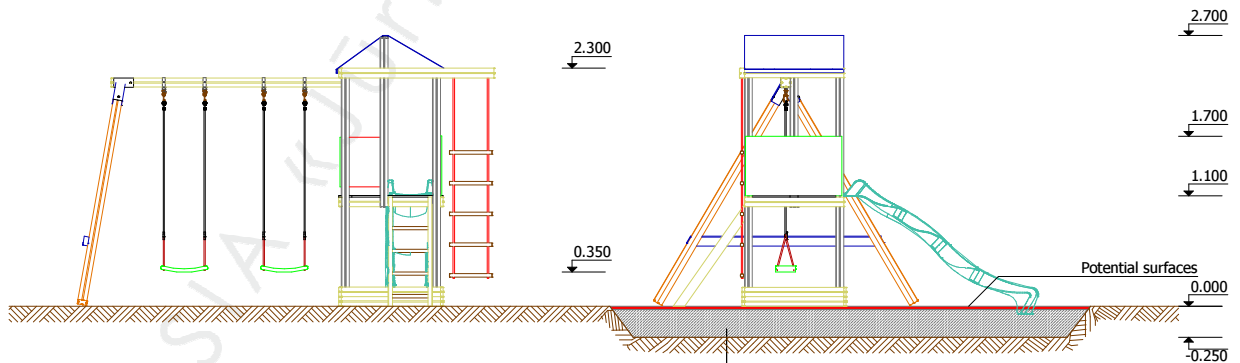
Minimal required area - 70 m²

Length: 4 200 mm
Width: 3 870 mm
Height: 2 700 mm

Length of safety area: 8 180 mm
Width of safety area: 9 090 mm
Required safety area: 70 m²



Children's playground equipment is fixed with anchors, the installation location.
The playground complex must be used, when the equipment is fully assembled and leveled.
During assembling there are not children allowed in area.



Colored rubber plates
Blanket (1000x1000mm);
Thickness 40 mm
Base: breakstone
(fr.20-40 mm); Thickness 130-250 mm

Transportation: One palette: 1 palette: 1 palette 2 600 x 1 000 x 500 mm

Spare parts: All needed spare parts and elements, when warranty time expires can be ordered in „Jūrmalas Mežaparki” Ltd., and all the goods will be ready for delivery in 3 days.