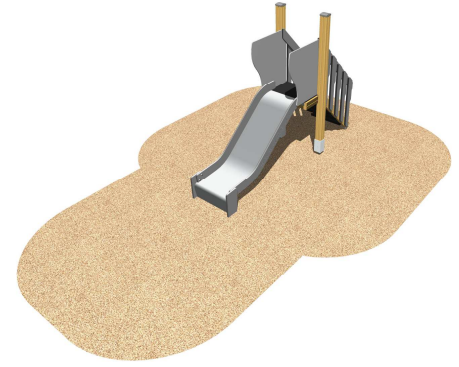
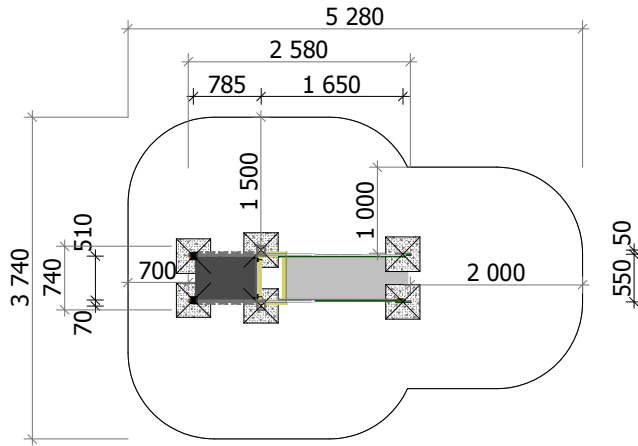


Construction are made from glued wood, galvanized steel and HDPE.

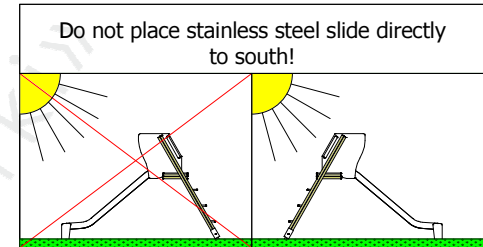
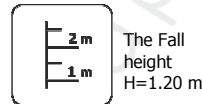


Minimal required area - 13 m²

Length: 2 580 mm
Width: 740 mm
Height: 1 800 mm

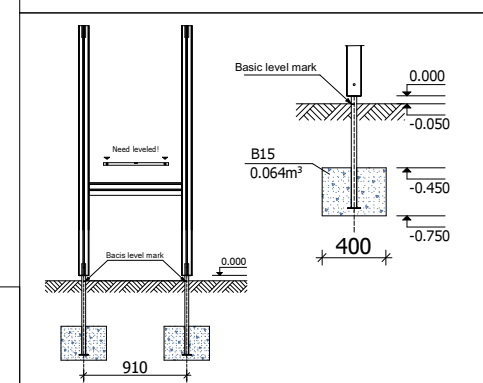
Playground are provided for outdoor use in supervising of adults

Length of safety area: 5 280 mm
Width of safety area: 3 740 mm
Required safety area: 13 m²



Equipment safety checkings must be performed once in a week in high vandalism risk areas.

Maintainance are required once in every 3 months, depending on usage



Play equipment are established with concreted steel foundation in equipment location. Equipment are suitable for use in two days after concreting, when the foundation are totally solid. During assambling there are not children allowed in area.

Adequate temperature

T_{min} -33.2 °C
T_{maz} +64.1 °C



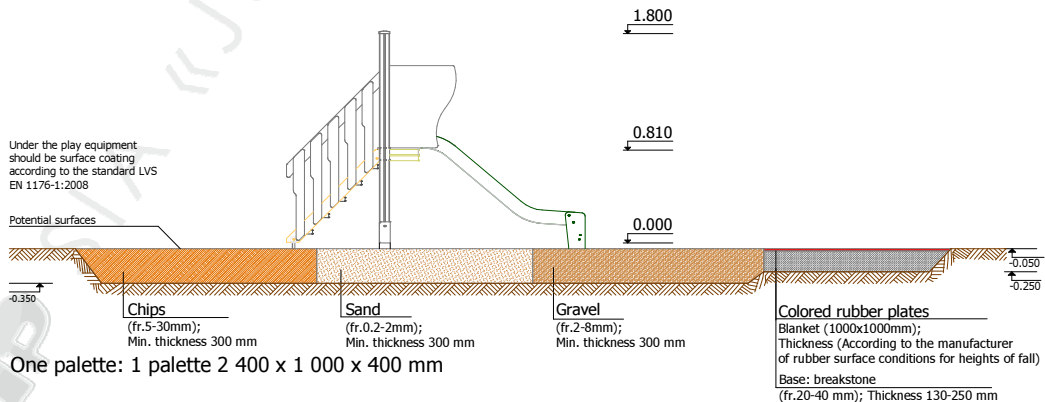
Snow load

Small



Wing load

Small



Transportation: One palette: 1 palette 2 400 x 1 000 x 400 mm

Spare parts: All needed spare parts and elements, when warranty time expires can be ordered in „Jūrmalas Mežaparki” Ltd., and all the goods will be ready for delivery in 3 days.