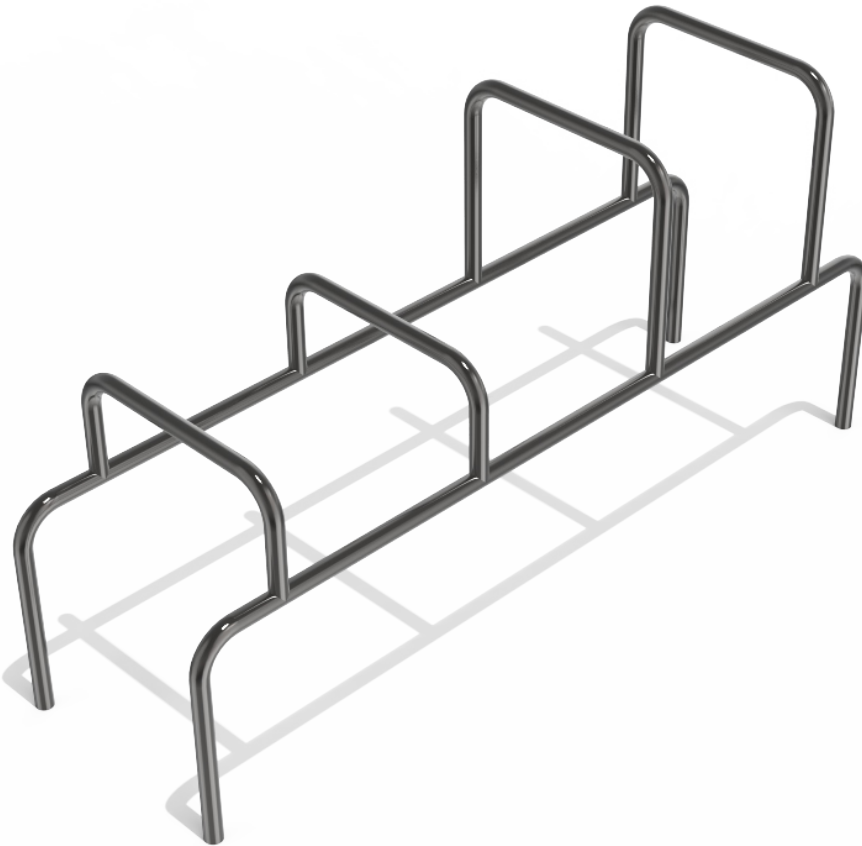
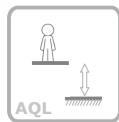


Push Ups

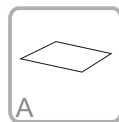
ref. SW012AL



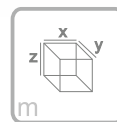
+12 Years



1.00 m

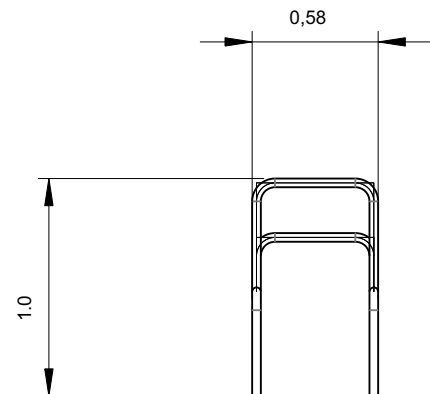
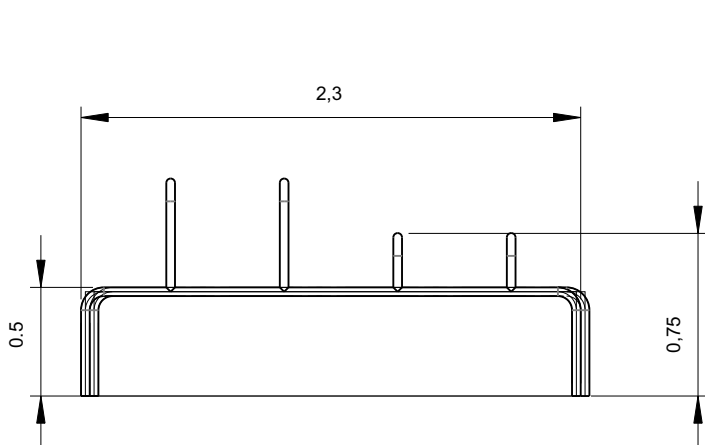


18.83 m²



**x= 2.30
y= 0.58
z= 1.00**

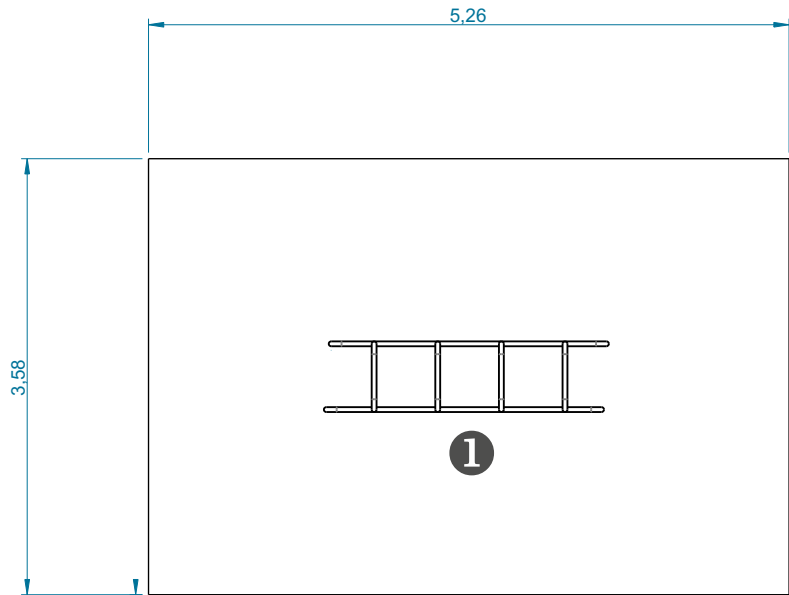
Data Sheet


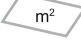


Equipment Information:


— Impact area
 - - Free space

EN 1176-1





.....	①
	1,00
	18
	18

0,2 m³



6h




2x



KG



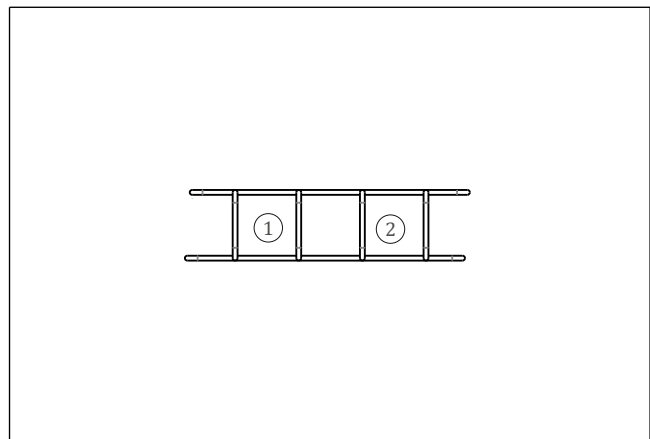
KG



Technical Information:

1 - Push Ups  1.00m

2 - Push Ups  0.75m



Technical Characteristics:

Metal Parts

Tubes:

Stainless steel: AISI 304, Ø40mm;

Fixation System:

Type C - Standard fixation system composed by posts applied directly in the ground with concrete;



100% recyclable;

