

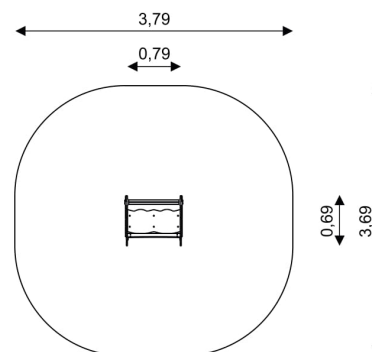
SPRING 0622

BOAT SPRING RIDER



Device Specifications	
Safety zone	12,05 m ²
Length	0,79 m
Width	0,69 m
Total height	0,84 m
Free fall height	< 0,60 m
Age range	1-12 years
In accordance w/ EN standards	1176-1:2017
Weight of the heaviest part [kg]	48
Dimension of the biggest part [cm]	77x70x127
Availability of spare parts	Yes

Minimal space



Material Specification

- Steel spring 20 mm, iron phosphorated and powder coated;
- The seat and other elements are made of atmospheric condition resistant HDPE plates;
- All screws covered with colorful plastic caps;
- No sharp edges or chinks that would pose a danger of jamming the head, fingers or any other body parts;
- Other galvanized and/or powder coated metal elements;

Additional comments

- The equipment is certified by an accrediting organization or by certificate of conformity;
- Depth of foundations on a flat surface: 40 cm;
- The equipment is designed for public playgrounds;

Surfaces

Due to the free fall height of the equipment, the EN 1176-1:2017 standard allows the following surfaces: turf, soil (A,B), sand with minimal layer thickness of 30 cm (A), synthetic material approved for free fall of 0,60 m (A,B)

