

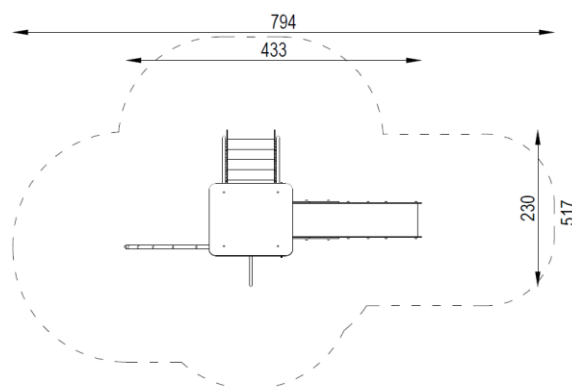


TECHNICAL DATA:

Easily accessible device,
according to standard EN 1176-1:2017

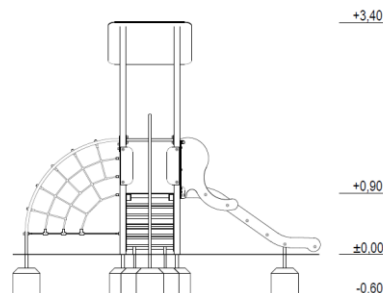
- Device dimensions: 4,33 x 2,30m
- Device height: 3,40m
- Minimum space: 7,94 x 5,17m
- Falling area: 27,57m²
- Critical fall height: 1,75m
- Foundations depth: -0,60m

Top view with falling area



The device according to EN 1176-1:2017
Playground equipment and surfacing – Part 1:
General safety requirements and test methods

- Safety surfaces:
- sand, gravel, bark, synthetic surface
 - minimal thickness for loose particulate materials 200+100mm
 - synthetic surface according to critical fall height



COMPONENTS:

Tower with roof, platform 0,90m	1 pc
Entry stairs 0,90m	1 pc
Vertical ladder	1 pc
Slide 0,90m	1 pc
Fireman's pole 0,90m	1 pc
Arched rope net	1 pc

MATERIALS:

Construction poles:	steel square profiles, galvanized, powder coated in grey
Flat decorative elements:	HDPE sheets
Platforms, gangways:	waterproof plywood, with anti-slip layer, based on steel structure
Steel elements:	galvanized steel, powder coated
Surface of slope slide:	stainless steel
Ropes:	polypropylene braided with a steel, interconnected by plastic fasteners
Caps:	plastic
Foundations:	concrete min. C12/15 standard



SATERNUS DISTRIBUTION Sp. z o.o. sp.k.
ul. Nowa 32
41-500 Chorzów, Poland

Certificate holder:
Producer:
Distributor:

GRUPA SATERNUS Sp. z o.o. S. K. A. reserves all rights to protect copyright under the Act of February 4, 1994 on Copyright and Related Rights (Journal of Laws No. 28, pc 83), and in particular Art. 78 and 79 of this Law.

GRUPA SATERNUS Sp. z o.o. S. K. A.
Saternus Production Sp. z o.o. sp. k.
Saternus Distribution Sp. z o.o. sp. k.