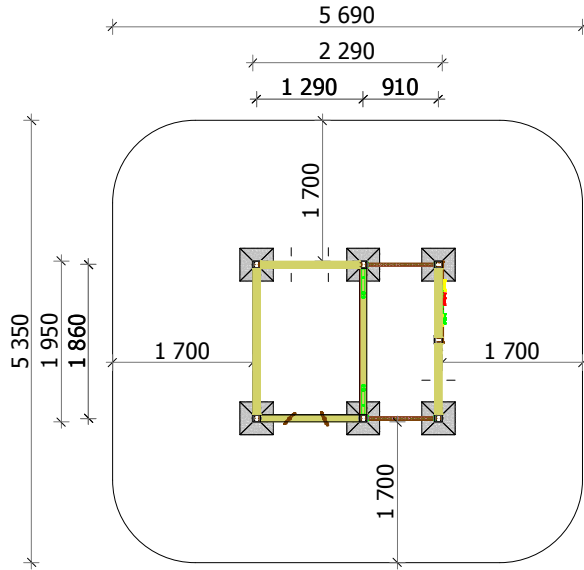
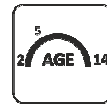




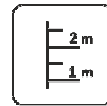
Construction is made from glued wood, galvanized steel.



MAX
10 children



AGE
Children from 4 - 14 years



The Fall height
H=1.80 m



KG
Weight
130 kg



h
Assembly
6 h
(without excavation and concreting)

Minimal required area - 30 m²

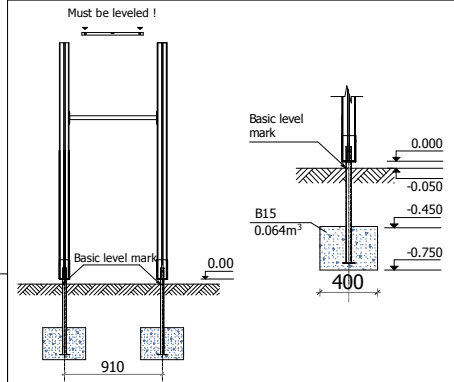
Lenght: 2 290 mm
Width: 1 950 mm
Height: 1 900 mm

Playground is intended for outdoor use under supervision of adults

Lenght of safety area: 5 690 mm
Width of safety area: 5 350 mm
Required safety area: 30 m²

Equipment safety checkings must be performed once in a week in high vandalism risk areas.

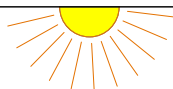
Maintainance is required once in every 3 months, depending on usage



Playground equipment steel foundation is concreted in the ground at the planned location. The equipment can be used after two days when the concrete becomes solid. During assembly no children are allowed in the area.

Temperature

T_{min} -33.2 °C
T_{max} +64.1 °C



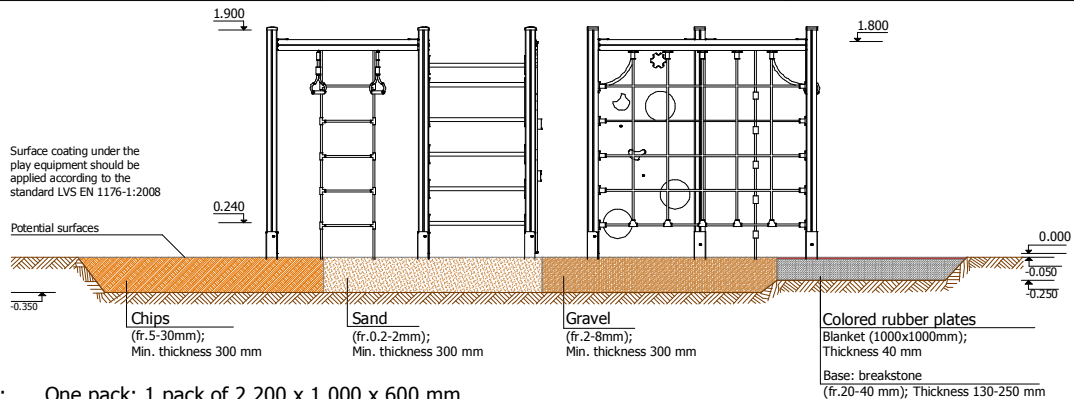
Snow load

Small



Wind load

Small



Transportation: One pack: 1 pack of 2 200 x 1 000 x 600 mm

Spare parts: All needed spare parts and elements, when warranty time expires can be ordered in „Jūrmalas Mežaparki” Ltd., and all the goods will be ready for delivery in 5 work days.

According to LVS EN 1176:2008

Manufactured according:

