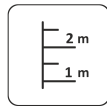


Minimum required safety zone - 31 m²

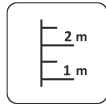
Length:	2 980 mm
Width:	2 590 mm
Height:	2 650 mm
Safety Area Length:	5 980 mm
Safety Area Width:	6 090 mm
Safety Area:	31 m ²



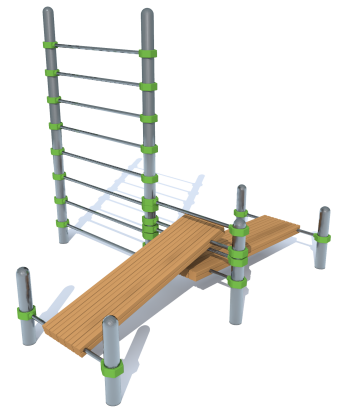
3 users



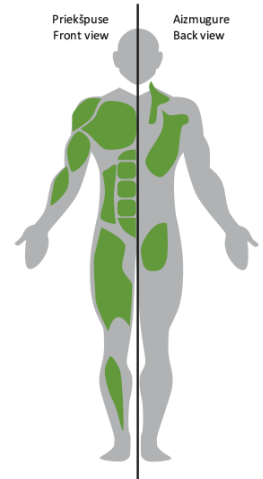
Critical height of fall
H = 2.43 m



Required user height
from 1.40 m

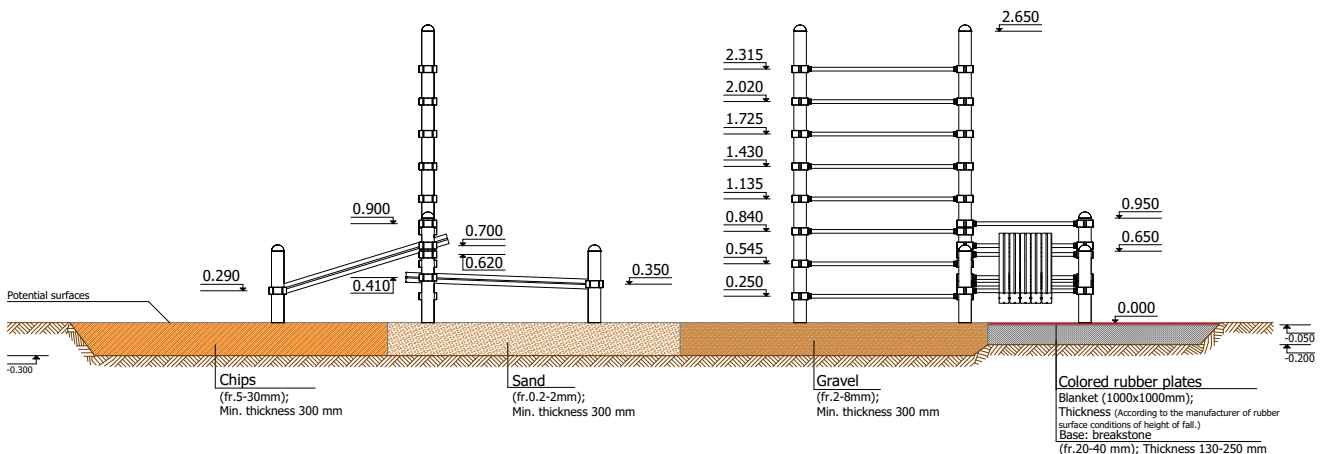
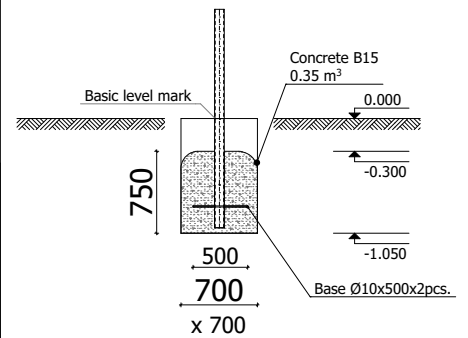


Priekšpuse Front view
Aizmugure Back view



Metal gymnastic complex is intended for public use outdoors.

Gymnastic equipment is established by concreting the steel foundation in planned equipment location. Equipment is suitable for use after two days of concreting when the foundation is totally solid. During assembly no children are allowed in the area. Equipment safety checks must be performed once a week in high vandalism risk areas. Maintenance is required once in every 3 months, depending on usage



Transportation: One pack: 1 pack 3 650 x 1 500 x 500 mm

According to Standard LVS EN 16630:2015

Manufactured according to:

