



CLIMBING



HANGING



WALK/BALANCE



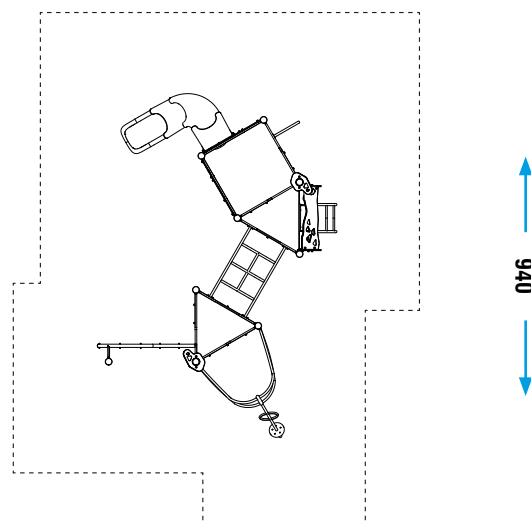
| | |
|-------------------------------------|--|
| CATALOG COLLECTION | DYNAMICS |
| DIMENSIONS (L x W x H) in cm | 640 x 440 x 330 |
| MAXIMUM CFH | 200 |
| IMPACT ATTENUATING SURFACE | min. 61,25 m ² - MAX 71,25 m ² |
| SUGGESTED AGE OF USE | 8 - 12 |

COMPOSITION

- n°9 aluminium Ø127 round poles
- n°3 aluminium decks
- n°4 metal guardpanels
- n°3 HDPE sheet guardpanels
- n°1 modular slide
- n°1 monkey swing
- n°1 spinner
- n°1 metal tubular arches bridge
- n°1 metal arch climbing
- n°1 metal ladder
- n°1 perch
- n°2 HDPE sheet decorations

SECURITY AREA

740



Make a proper security surface according to CFH. **Periodic maintenance is mandatory**, following manual supplied to customer.